

PARTS LIST

TMEG-X

Table of Contents

● TMEG-X GENERAL VIEW	
● TMEG-X FRAME TABLE	GX -1
● TMEG-X BOX A	GX -2 a
● TMEG-X BOX B (G-SPEC. MACHINE).....	GX -2 b
● TMEG-X ROTARY HOOK BASE 1.....	GX -3 -1
● TMEG-X ROTARY HOOK BASE 2	GX -3 -2
● TMEG-X ENCODER (Z-SPEC. MACHINE)	GX -4
● TMEG-X COLOR CHANGE SYSTEM.....	GX -5
● TMEG-X ARM 1.....	GX -6 -1
● TMEG-X ARM 2	GX -6 -2
● TMEG-X ARM 3.....	GX -6 -3
● TMEG-X NEEDLE BAR CASE 1.....	GX -7 -1
● TMEG-X NEEDLE BAR CASE 2	GX -7 -2
● TMEG-X UPPER THREAD HOLDER SET	GX -8
● TMEG-X CAM DRIVE SYSTEM SET 1	GX -9 -1
● TMEG-X CAM DRIVE SYSTEM SET 2	GX -9 -2
● TMEG-X X-AXIS DRIVE SYSTEM 1	GX -10 -1
● TMEG-X X-AXIS DRIVE SYSTEM 2	GX -10 -2
● TMEG-X Y-AXIS DRIVE SYSTEM 1	GX -11 -1
● TMEG-X Y-AXIS DRIVE SYSTEM 2	GX -11 -2
● TMEG-X Y-AXIS DRIVE SYSTEM 3	GX -11 -3
● TMEG-X INDIVIDUAL TENSION BASE	GX -12
● TMEG-X THREAD STAND.....	GX -13
● TMEG-X BAR SWITCH BOX.....	GX -14
● TMEG-X EMBROIDERY FRAME A	GX -15 a
● TMEG-X EMBROIDERY FRAME B	GX -15 b
● TMEG-X OPERATION PANEL BOX	GX -16
● TMEG-X POWER SUPPLY BOX.....	GX -17
● TMEG-X DRIVER BOX.....	GX -18
● TMEG-X CONTROLLER BOX	GX -19
● TMEG-X MAIN SHAFT MOTOR.....	GX -20

Part Nos. of screws, nuts, washers etc. are listed at the end of volume.

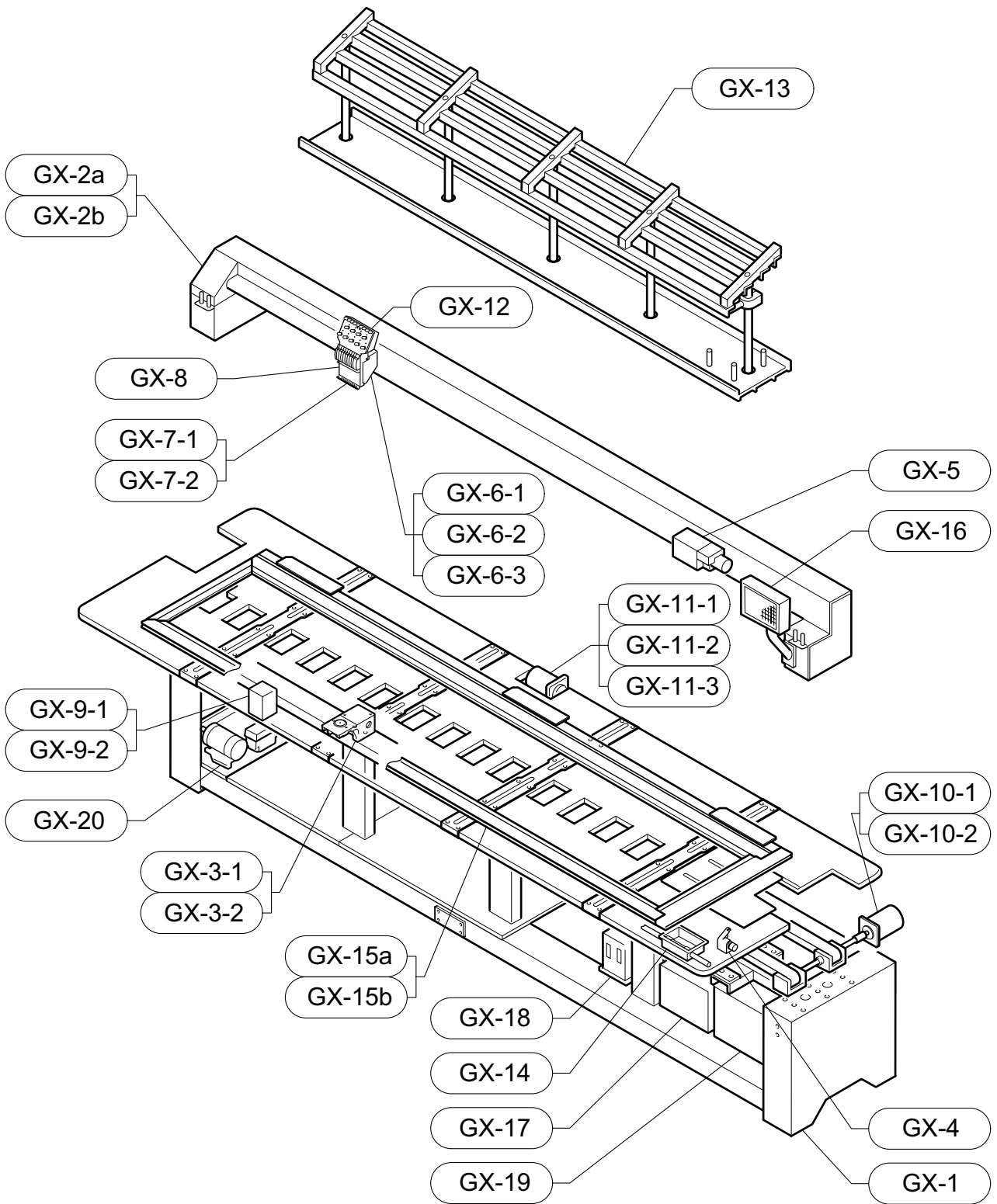
【 Explanation of Marks #'s and *'s at End of Part No.】

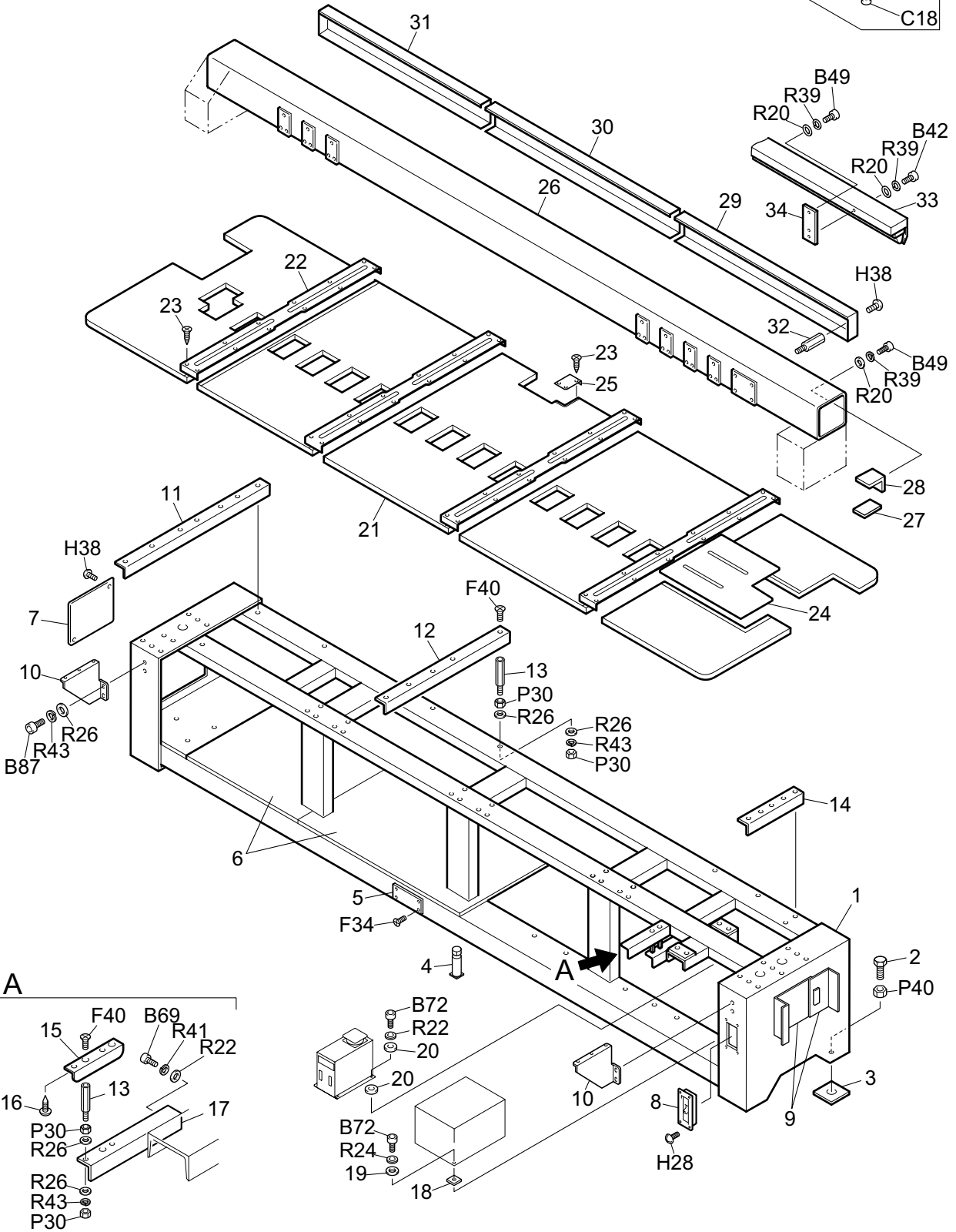
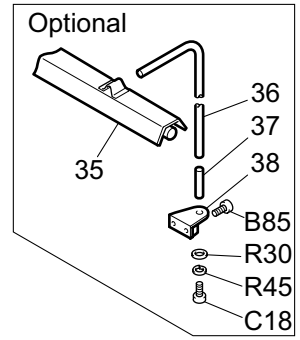
◆ Please specify, in the following manner, your machine model, manufacturing number and embroidery space when you order us with the parts having **** at the end of the part No.:

Ex. :	TMFD-612	(450×275)S	No.01234
	[Model]	[Emb. Space]	[Mfg. No.]

◆ Please specify the number of needles on your machine's head in your parts order by changing the marks #### into one of the 4-digit numbers below:

Ex. :	The part Number, EF012345####	
	4-digit Numbers	Machine Type
	0300... ..	3-needle machine
	0600... ..	6-needle machine
	0900... ..	9-needle machine
	1200... ..	12-needle machine





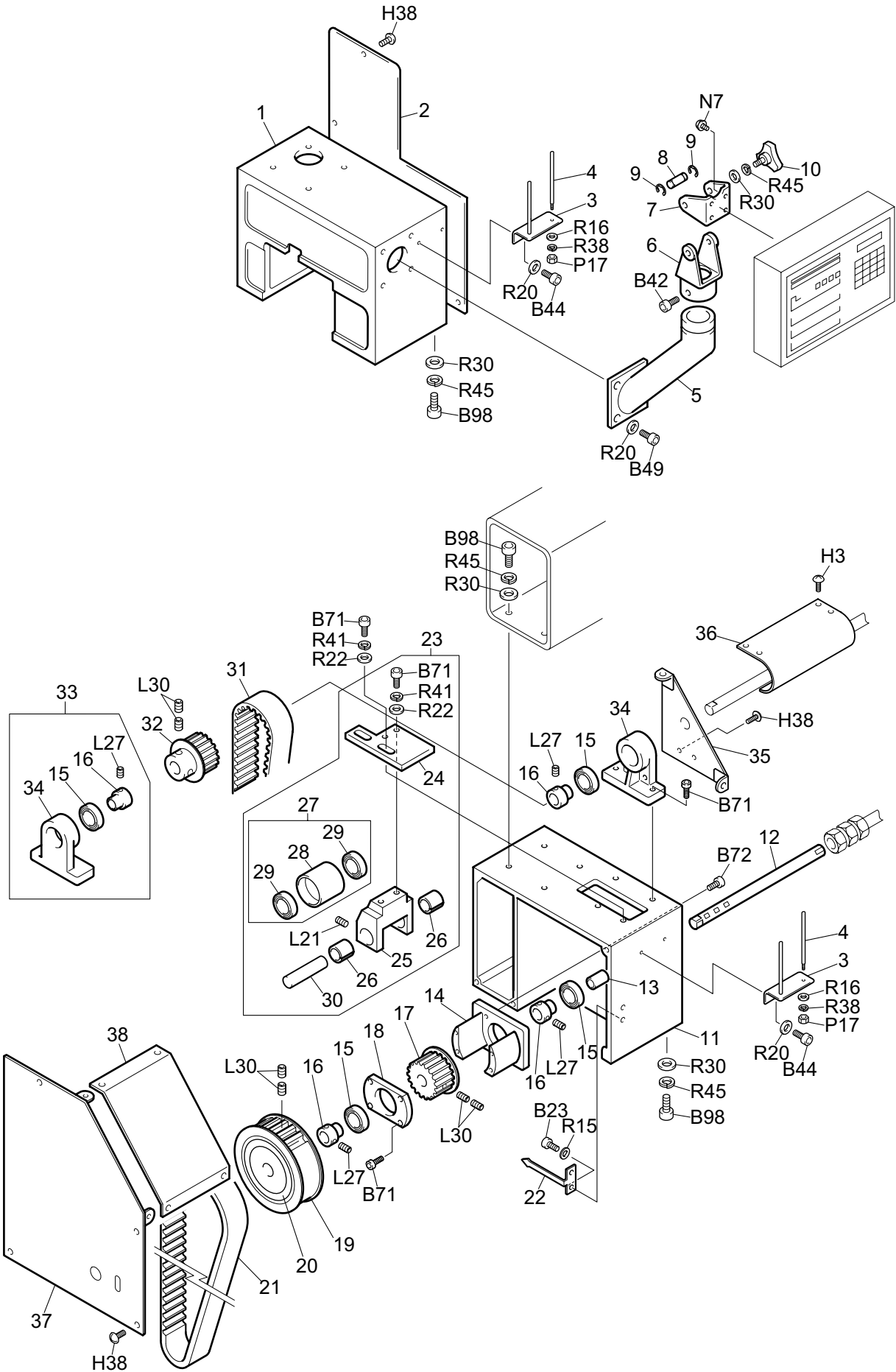
TMEG-X FRAME TABLE

GX-1

Ref.No.	Description	Part No.	Remark
1	Stand	GX080101****	
2	Adjusting Bolt	EF0809000000	
3	Vibration-preventive Base	EF08100A0000	
4	Stand Stud Bolt	EF08080A0000	
5	TAJIMA Brand Name Plate	CT0825010000	
6	Shelf Plate	GX081400****	
7	Left Side Plate Cover	EF08070A0000	
8	No Fuse Breaker Assembly	EG5801B10000	
9	Harness Cover	EG58030A0000	
10	No.4 Table Support	EF1005010000	
11	No.101 Table Support	EG10010B****	
12	No.102 Table Support	EG10020B****	
13	Table Support Stud	EF1001000000	
14	No.103 Table Support	EG10030B****	
15	No.105 Table Support	EG10040B****	
16	Round Head Wood Screw		5.1P*25
17	Table Support Bracket R	EG1005RA0000	
18	Vibration-preventive Rubber A	EF0833A00000	
19	Vibration-preventive Rubber B	EF0833B00000	
20	Vibration-preventive Rubber C	FH0833000000	
21	Table	MX080200****	
22	No.1 Table Lid A	MX0806A0****	Belt Width:35mm
22	No.1 Table Lid B	MX0806B0****	Belt Width:50mm
23	Countersunk Head Wood Screw		3.1P*12, 3.1P*16
24	No.2 Table Lid	MX080700****	
24	No.2 Table Lid	MXG80700****	G-Spec.M/C only
25	Joint Cover	ED0815000000	
26	Arm Support Square Pipe	GX080301****	
27	TC Joint 4 Card	ED7201000000	
28	TC Joint 4 Card Fixture	ED7202010000	
29	No.1 Wiring Cover	GX0804AA****	
30	No.2 Wiring Cover	GX0804BA****	
31	No.3 Wiring Cover	GX0804CA****	
32	Wiring Cover Stud	EG0808000000	
33	Fluorescent Lamp	EG740100****	
34	Fluorescent Lamp Bracket	EG08170A0000	
35	Fluorescent Lamp	EF740100****	
36	Fluorescent Lamp Stand Pipe	EF08120A****	
37	Fluorescent Lamp Pipe Support	EF0813000000	
38	Fluorescent Lamp Pipe Base D	EF0811DA0000	L=85mm
38	Fluorescent Lamp Pipe Base E	EF0811EA0000	L=165mm
39			
40			
41			
42			
43			
44			
45			
46			
47			

Note: As for parts with marks # or * please follow our instructions on Table of Client in your parts order. iBH05 j

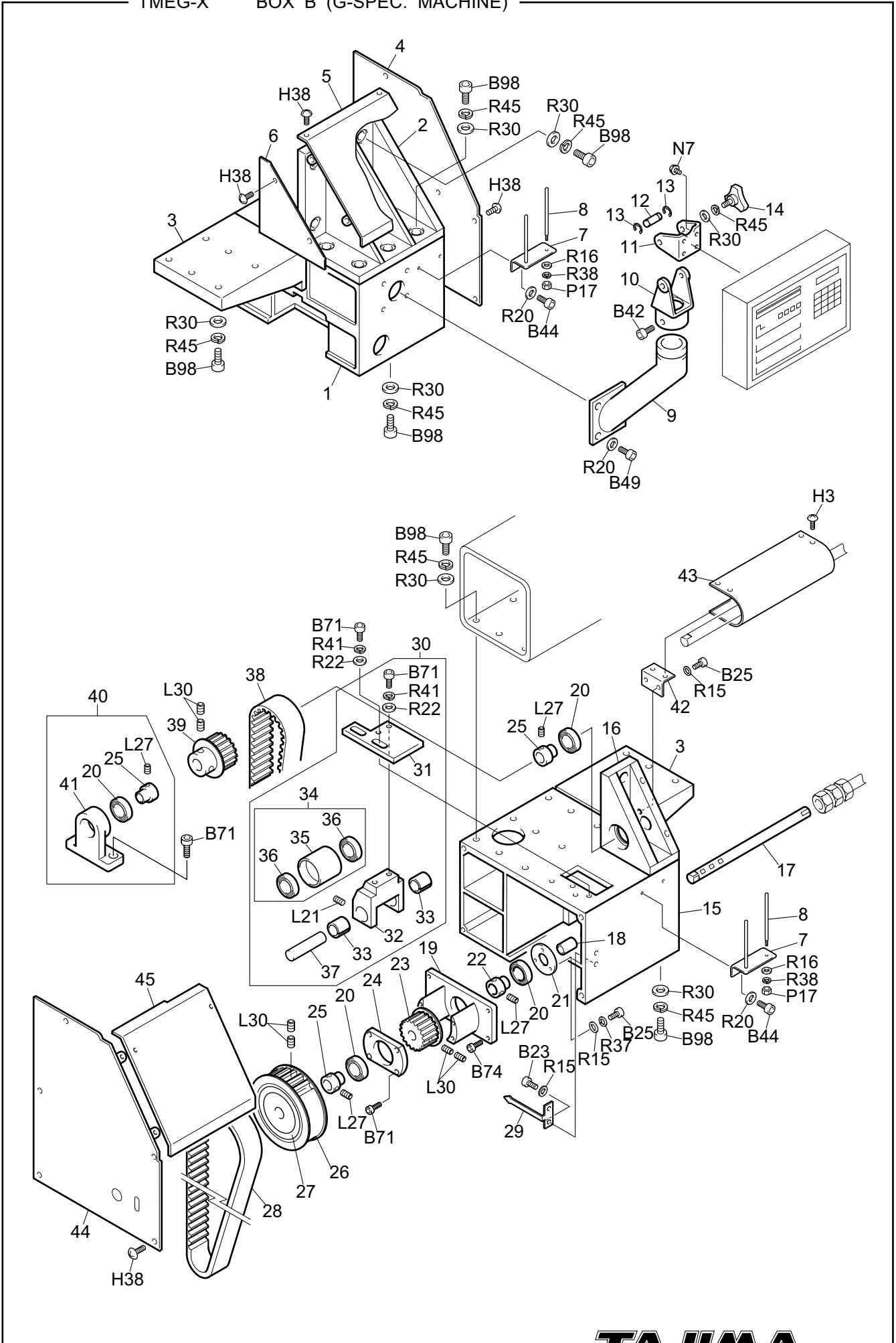
From the library of: Superior Sewing Machine & Supply LLC



TMEG-X BOX A

GX-2a

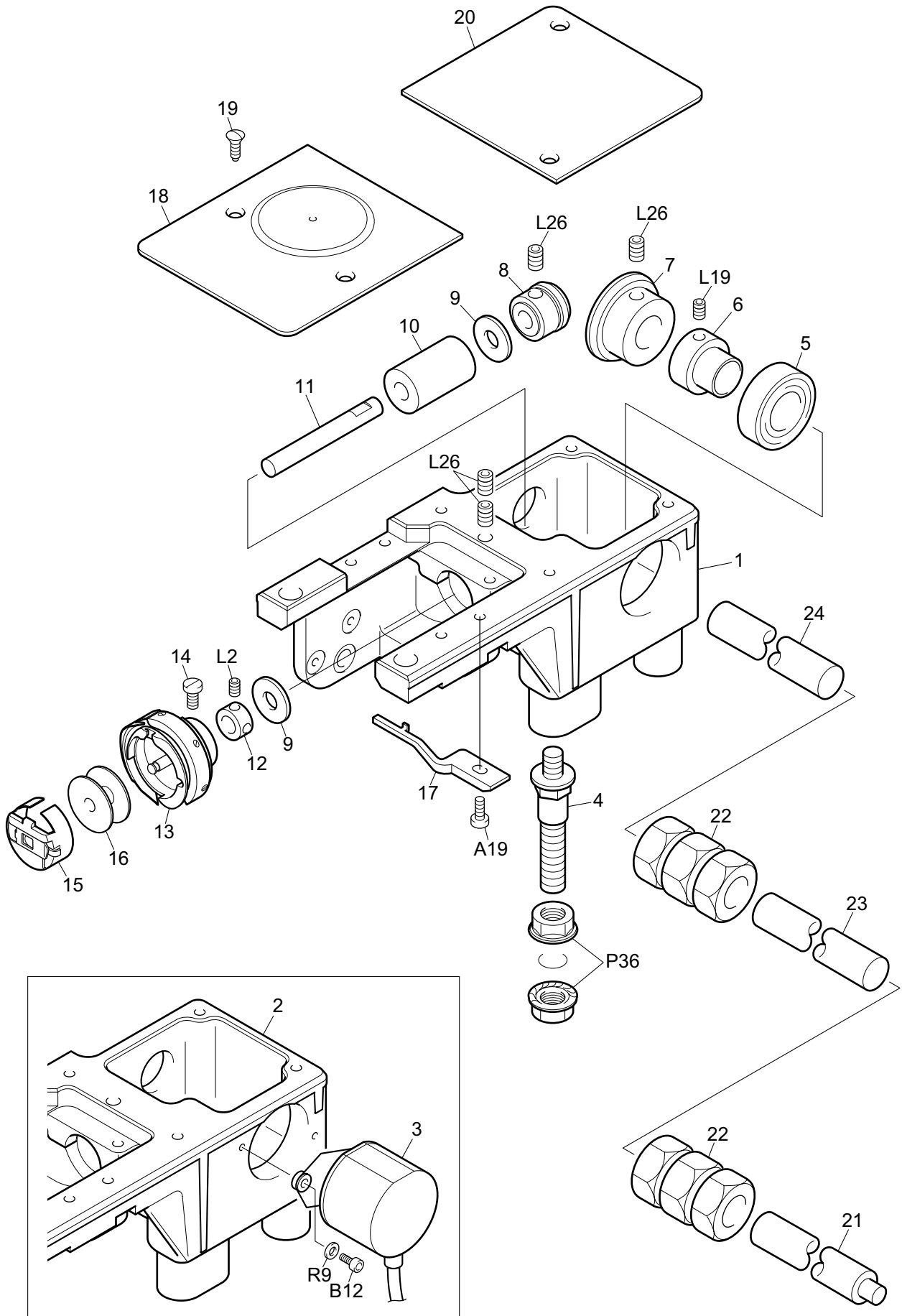
Ref.No.	Description	Part No.	Remark
1	Right-end Box	MX0101010000	
1	Right-end Box	MXZ101010000	Z-Spec.M/C only
2	Right-end Box Lid	EF01140A0000	
3	Bobbin Stand Base	EG01060A0000	
4	Bobbin Stand Stud	EF0122000000	
5	Operation Panel Stand Pipe	EG01020A0000	
6	Operation Panel Bracket	EG01030A0000	
7	Operation Panel Attaching Arm	EG01040A0000	
8	Operation Panel Hinge Pin	EG0105010000	
9	E-ring	BPE900000000	
10	Knobbed Bolt	BPM10L200000	M10*20
11	Left-end Box	EF0102010000	
12	Rotary Hook Shaft Drive Shaft	EG0112000000	
13	Shaft Cover Pipe	EF0102200000	
14	No.1 Bearing Case A	EG01090A0000	
14	No.1 Bearing Case A	EGC1090A0000	For Jumbo Rotary Hook
15	Ball Bearing	BP6004ZZ0000	
16	15mm Dia. Bearing Case Collar	EG0111000000	
17	Rotary Hook Drive Shaft Timing Pulley	EG0113000000	
18	No.1 Bearing Case B	EG01100A0000	
19	Main Shaft Pulley	C50101000000	
20	Angle Indicator Plate	CX0111000000	
21	Timing Belt	BPS5M250975G	
22	Angle Pointer	C50104000000	
23	Tension Shaft Holder Set	UN07008AEG00	
24	Tension Bearing Case Base	EG0116020000	
25	Tension Shaft Holder	EG01150A0000	
26	Tension Bearing Case Bushing	EG0117000000	
27	Tension Roller (with Bearing)	EG0118S10000	
28	Tension Roller	EG0118010000	
29	Ball Bearing	BP6202ZZ0000	
30	Tension Bearing Case Shaft	EG0119000000	
31	Timing Belt	BPS8M0600300	
32	Needle Bar Drive Shaft Timing Pulley	EG0114000000	
33	No.2 Bearing Case Set	UN07007AEF00	
34	No.2 Bearing Case	EF01040A0000	
35	Left Cover Side Plate	EF01160A0000	
35	Left Cover Side Plate	FX01100A0000	24 or more head machines
36	Connecting Shaft Cover	FX08130A****	
37	Left-end Box Cover A	C501050A0000	
38	Left-end Box Cover B	EF0115BB0000	
39			
40			
41			
42			
43			
44			
45			
46			
47			



TMEG-X BOX B (G-SPEC.MACHINE)

GX-2b

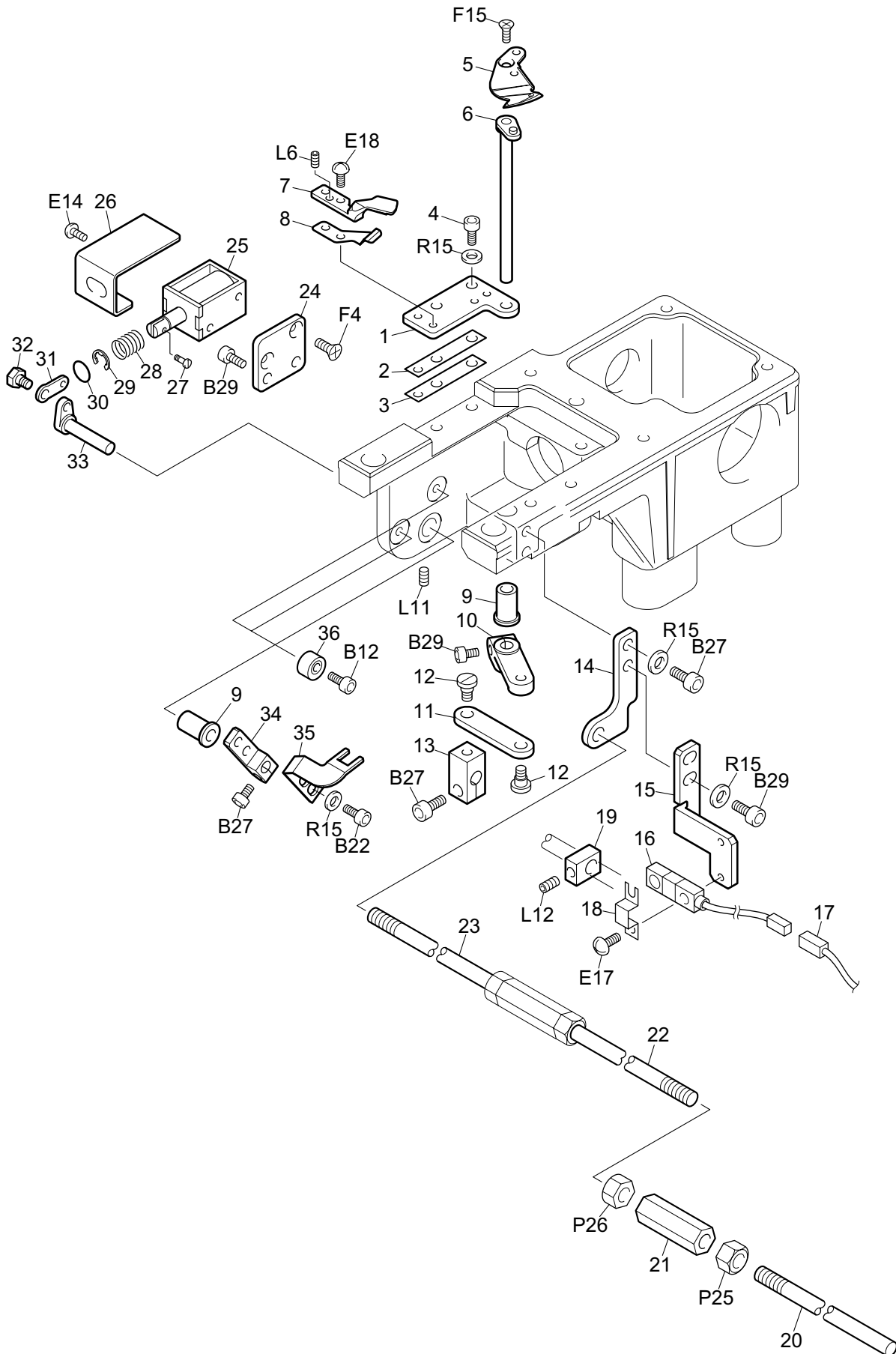
Ref.No.	Description	Part No.	Remark
1	Right-end Box	MXG101010000	
1	Right-end Box	MXV101010000	Z-Spec.M/C only
2	Square Pipe Support, Front	EGG10203****	
3	Square Pipe Support, Lower	EFG103000000	
4	Right-end Box Cover	EFG1080A0000	
4	Right-end Box Cover	EFG108BA0000	For M/C 6246mm or longer
5	Square Pipe Support Cover	EGG1090A****	
6	Square Pipe Support Cover Side Plate	EGG1100A****	
7	Bobbin Stand Base	EG01060A0000	
8	Bobbin Stand Stud	EF0122000000	
9	Operation Panel Stand Pipe	EG01020A0000	
10	Operation Panel Bracket	EG01030A0000	
11	Operation Panel Attaching Arm	EG01040A0000	
12	Operation Panel Hinge Pin	EG0105010000	
13	E-ring	BPE900000000	
14	Knobbed Bolt	BPM10L200000	M10*20
15	Left-end Box	EFG102010000	
16	Square Pipe Support, Front B	EFG105010000	
17	Rotary Hook Shaft Drive Shaft	EGG104000000	
18	Shaft Cover Pipe	EF0102200000	
19	No.1 Bearing Case A	EGG1030A0000	
19	No.1 Bearing Case A	EGH1030A0000	For Jumbo Rotary Hook
20	Ball Bearing	BP6004ZZ0000	
21	No.1 Bearing Case Bearing Presser	EGG108000000	
22	15mm Dia. Bearing Case Collar	EF0106000000	
23	Rotary Hook Drive Shaft Timing Pulley	EGG105000000	
24	No.1 Bearing Case B	EG01100A0000	
25	15mm Dia. Bearing Case Collar	EG0111000000	
26	Main Shaft Pulley	C50101000000	
27	Angle Indicator Plate	CX0111000000	
28	Timing Belt	BPS5M250975G	
29	Angle Pointer	C50104000000	
30	Tension Shaft Holder Set	UN07008AEG00	
31	Tension Bearing Case Base	EG0116020000	
32	Tension Shaft Holder	EG01150A0000	
33	Tension Bearing Case Bushing	EG0117000000	
34	Tension Roller (with Bearing)	EG0118S10000	
35	Tension Roller	EG0118010000	
36	Ball Bearing	BP6202ZZ0000	
37	Tension Bearing Case Shaft	EG0119000000	
38	Timing Belt	BPS8M0600400	
39	Needle Bar Drive Shaft Timing Pulley	EGG106000000	
40	No.2 Bearing Case Set	UN07007AEF00	
41	No.2 Bearing Case	EF01040A0000	
42	Cover Bracket	EFG1120A0000	
43	Connecting Shaft Cover	FX08130A****	
44	Left-end Box Cover	C501060A0000	
44	Left-end Box Cover B	C501070A0000	For M/C 6246mm or longer
45	No.2 Bearing Case B Cover	EFG11000A000	
46			



TMEG-X ROTARY HOOK BASE 1

GX-3-1

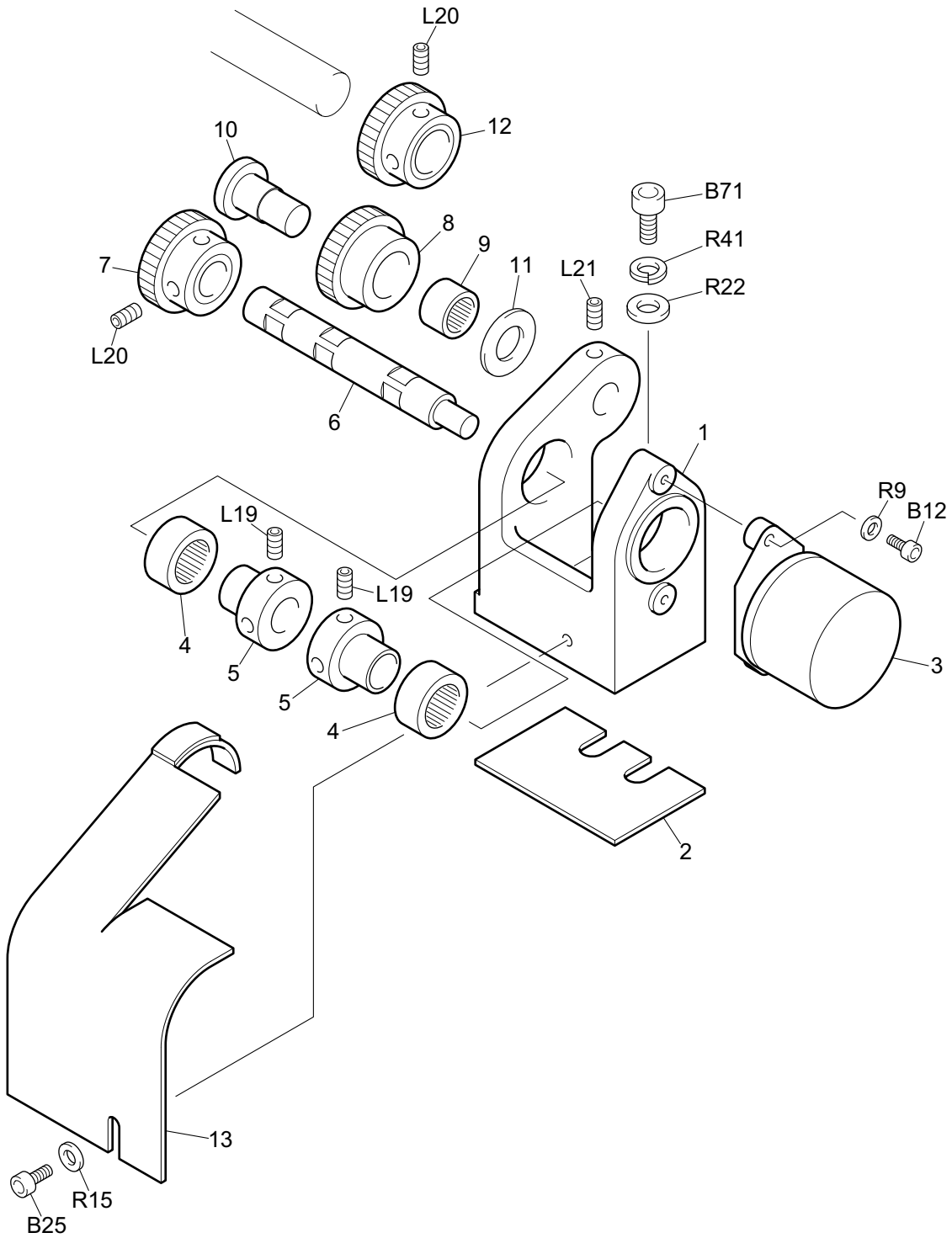
Ref.No.	Description	Part No.	Remark
1	Rotary Hook Base A	FX0201AC0000	
1	Rotary Hook Base A	FXC201AC0000	For Jumbo Rotary Hook
2	Rotary Hook Base B	FX0201BC0000	
2	Rotary Hook Base B	FXC201BC0000	For Jumbo Rotary Hook
3	Rotary Encoder	EF6600000000	
4	Rotary Hook Base Stud	FX0225000000	
5	Ball Bearing	BP6003ZZ0000	
6	15mm Dia. Bearing Collar	EG0227000000	
7	Spiral Bevel Gear A	EF0203000001	
8	Spiral Bevel Gear B	EF0204000001	
9	Rotary Hook Spacer	EF0211000000	
10	Rotary Hook Shaft Bushing	EF0206000000	
10	Rotary Hook Shaft Bushing	EFC206010000	For Jumbo Rotary Hook
11	Rotary Hook Shaft	EF0205010000	
12	7.94mm Dia. Collar	EF0209000000	
13	Rotary Hook	ME0505E2****	
13	Rotary Hook	MEC505E2****	Jumbo Rotary Hook
14	Rotary Hook Set Screw	ME0506000000	
15	Bobbin Case	ME050300****	
16	Bobbin	ME050402****	
17	Rotary Hook Support	EF021000****	
17	Rotary Hook Support	EFC210000000	For Jumbo Rotary Hook
18	Needle Plate	FX020200****	
19	Round Countersunk Head Screw	EG0228000000	
20	Top Lid	EG0221010000	
21	Rotary Hook Shaft Drive Shaft A	MX0812A0****	
22	N-Coupling	BPN150150000	
23	Rotary Hook Shaft Drive Shaft B	MX0812B0****	
24	Rotary Hook Shaft Drive Shaft C	MX0812C0****	
25			
26			
27			
28			
29			
30			
31			
32			
33			
34			
35			
36			
37			
38			
39			
40			
41			
42			
43			
44			
45			



TMEG-X ROTARY HOOK BASE 2

GX-3-2

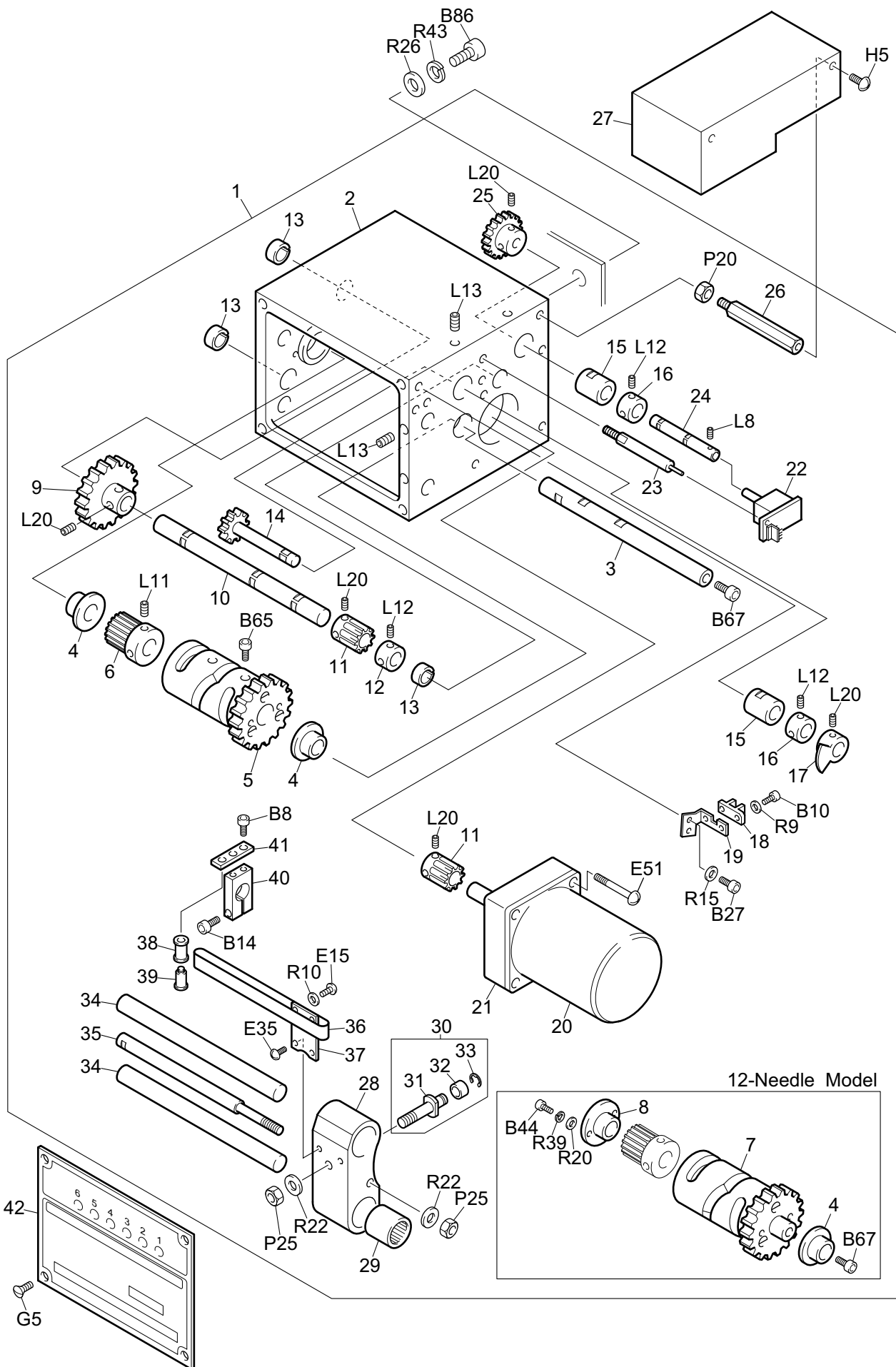
Ref.No.	Description	Part No.	Remark
1	Knife Base	FX0203000000	
2	Adjusting Liner	FX0209000000	0.1mm Thick
3	Adjusting Liner	FX0210000000	0.05mm Thick
4	Hexagon Socket Head Cap Screw	EG0219000000	
5	Movable Knife	FX0227000000	
6	Knife Drive Shaft	EG0205040000	
7	Fixed Knife	FX0228000000	
8	Under Thread Presser	FX0229000000	
9	Bushing	EG0211000000	
10	Knife Drive Arm	AT0205000000	
11	Knife Connecting Lever	AT0207000000	
12	Connecting Lever Pin	AT0206000000	
13	Connecting Stud	AT0208000000	
14	Connecting Shaft Holder	FX0208000000	
15	Sensor Bracket A	FX0218000000	
16	Proximity Switch	EG6601000000	
17	Knife Retracting Sensor Harness	ED760400****	
18	Proximity Switch Lock	PB000500KN01	
19	Searching Block	FX0217000000	
20	Thread Trimming Shaft A	MX0813A0****	
21	M6 Joint	EF0827010000	
22	Thread Trimming Shaft B	MX0813B0****	
23	Thread Trimming Shaft C	MX0813C0****	
24	Solenoid Base	EG0214000000	
25	Solenoid	AT6806010000	
26	Solenoid Cover	EG02100A0000	
27	Solenoid Pin	EG0252000000	
28	Compressed Spring	EG0218000000	
29	E-ring	BPE400000000	
30	Needle Bar O-Ring	EF0621000000	
31	Connecting Rod	EG0251000000	
32	Stepped Pin	EG0215000000	
33	Connecting Lever Pin	EG0217000000	
34	Picker Connecting Stud	EG0212000000	
35	Wide Picker	EG0213000000	
36	Eccentric Stopper	EG0220000000	
37			
38			
39			
40			
41			
42			
43			
44			
45			
46			
47			
48			
49			
50			



TMEG-X @ENCODER (Z-SPEC.MACHINE)

GX-4

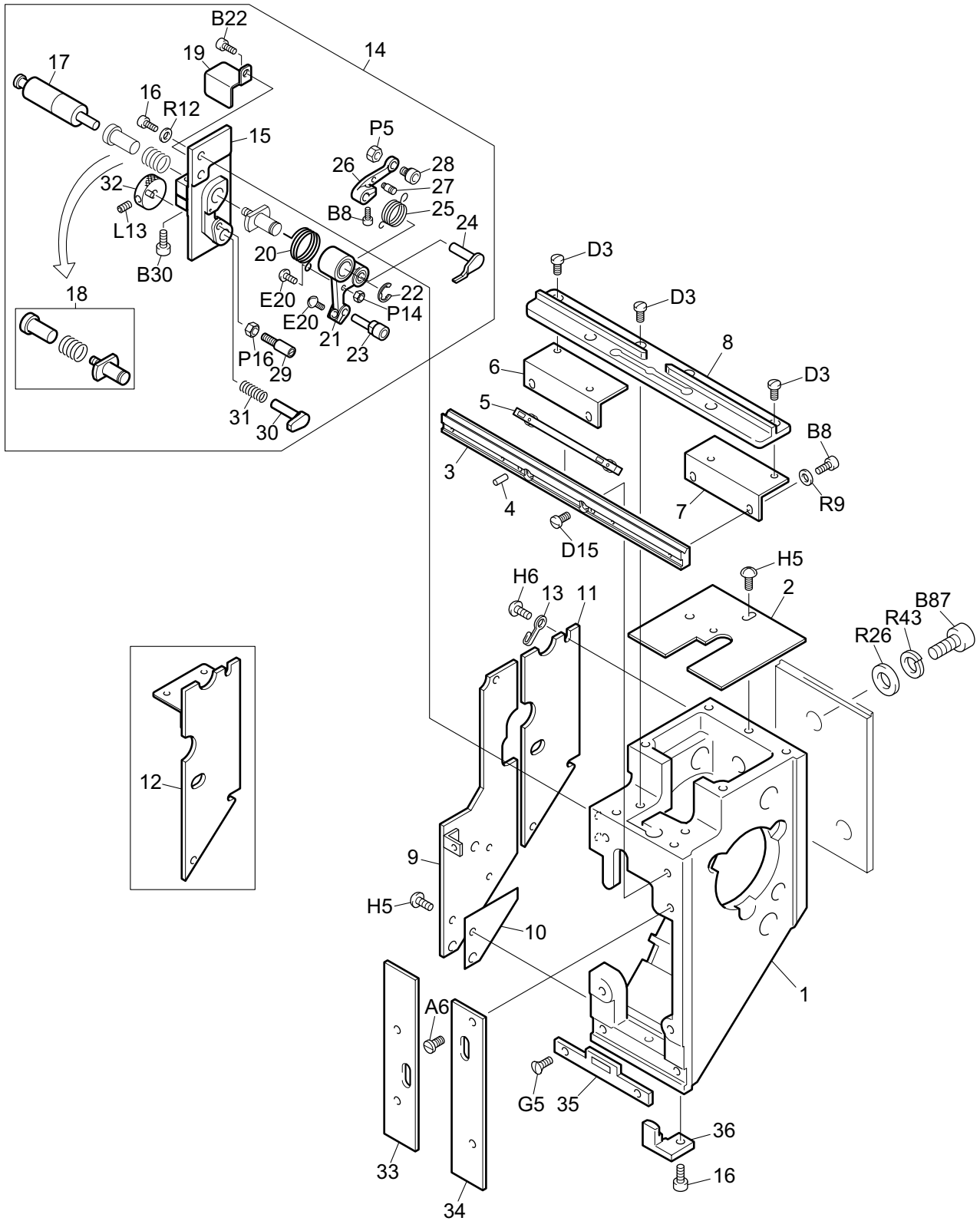
Ref.No.	Description	Part No.	Remark
1	Encoder Bracket	EFZ102000000	
2	Encoder Bracket Spacer	EFZ110000000	
3	Rotary Encoder	EF6600000000	
4	Needle Bearing	BPHMK1512000	
5	12mm Dia. Needle Collar	EFZ109000000	
6	Encoder Shaft	EFZ106000000	
7	Encoder Driven Gear	EFZ104000000	
8	Encoder Middle Gear	EFZ105000000	
9	Needle Bearing	BPHK12100000	
10	Middle Gear Shaft	EFZ107000000	
11	Washer	BPTW12250000	
12	Encoder Drive Gear	EFZ103000000	
13	Encoder Gear Cover	EFZ108000000	
14			
15			
16			
17			
18			
19			
20			
21			
22			
23			
24			
25			
26			
27			
28			
29			
30			
31			
32			
33			
34			
35			
36			
37			
38			
39			
40			
41			
42			
43			
44			
45			
46			
47			
48			
49			
50			



TMEG-X COLOR CHANGE SYSTEM

GX-5

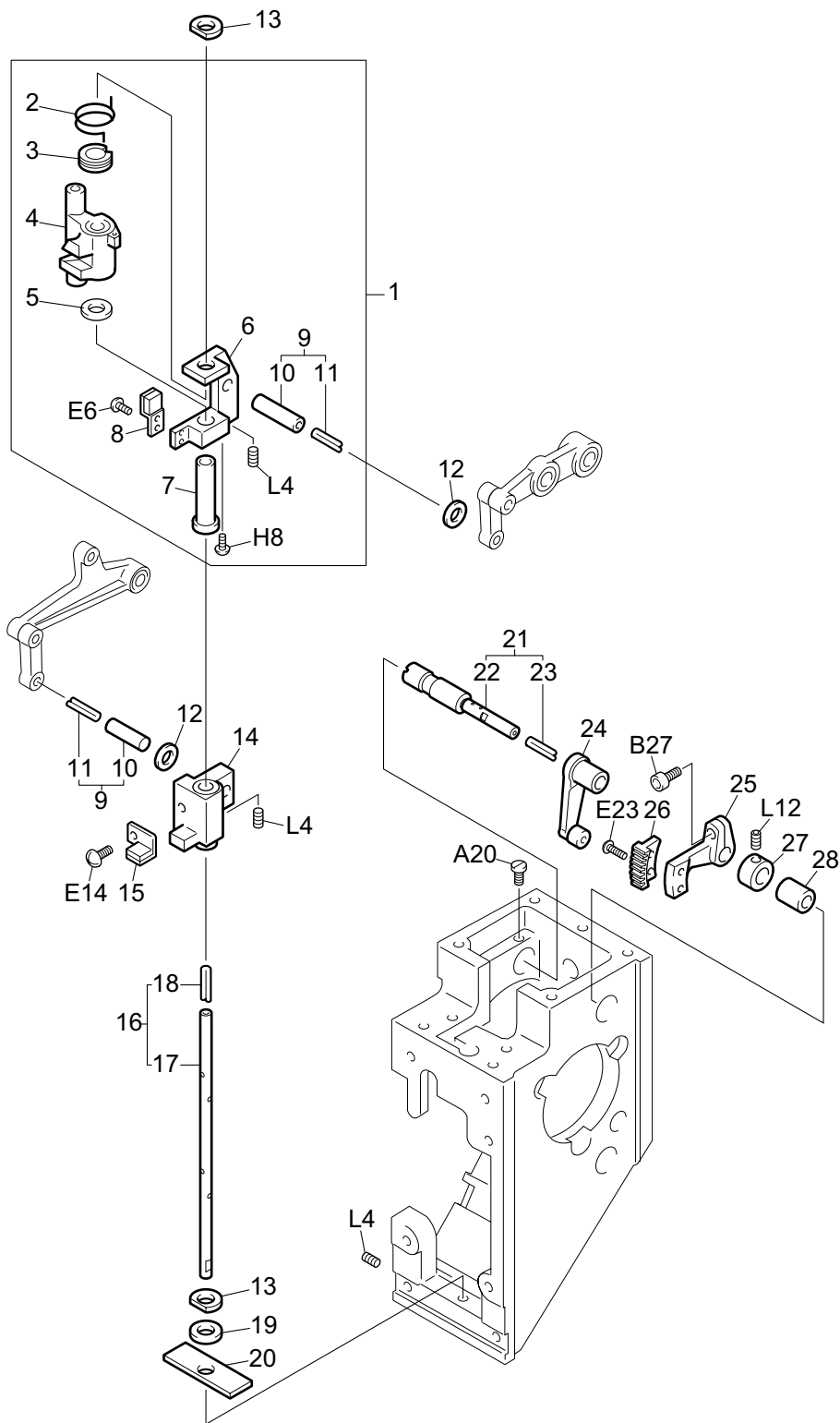
Ref.No.	Description	Part No.	Remark
1	Color Change System Assembly	UN09002A****	
2	Color Change Box	FX04010A####	
3	Cam Shaft	MS040200####	
4	Cam Shaft Bushing	EF0407000000	
5	Color Change Cam Set	EF040501####	
6	Middle Gear A	MS0410010000	
7	Color Change Cam Set	EF0405011200	12-Needle
8	Cam Shaft Bushing B	FX04030A1200	
9	Middle Gear B	MS0411000000	
10	Middle Shaft	FX040200####	
11	Motor Gear	EF0410000000	
12	10mm Dia. Collar	EF0924000000	
13	Dry Bearing	BPMB1010DU00	
14	Half-turn Gear	EF0414000000	
15	Half-turn Gear Bushing	EF0415000000	
16	8mm Dia. Collar	EF0418000000	
17	One-rotation Switch Collar	EG0401010000	
18	Photo-interrupter	EG7102000000	
19	Photo-interrupter Base	EG0402000000	
20	Color Change Motor	EG7101003R15	
21	Gear Head	EG7101003G09	
22	Rotary Switch	MS7102010000	
23	Rotary Switch Stay	MS0409000000	
24	Rotary Switch Pin	MS0407000000	
25	Rotary Switch Gear	MS0408000000	
26	Change Cover Stud	MS0414000000	
27	Change Cover	EG04040A0000	
28	Slide Boss	EF0402010000	
29	Slide Bearing	BPLME1222322	
30	Cam Roller Set	EF0404S00000	
31	Cam Pin	EF0403000000	
32	Cam Roller	EF0404000000	
33	E-ring	BPE300000000	
34	Guide Shaft	EF040800####	
35	Slide Shaft	MS040300####	
36	Needle Position Indicating Belt	EF042600####	
37	Belt Joint Plate	EF0429000000	
38	Roller	EF0425000000	
39	Roller Pin	EF0428000000	
40	Base Split Collar	EF0430000000	
41	Roller Base	EF0427000000	
42	Model Name Plate	EG040300****	
43			
44			
45			
46			
47			
48			
49			
50			



TMEG-X ARM 1

GX-6-1

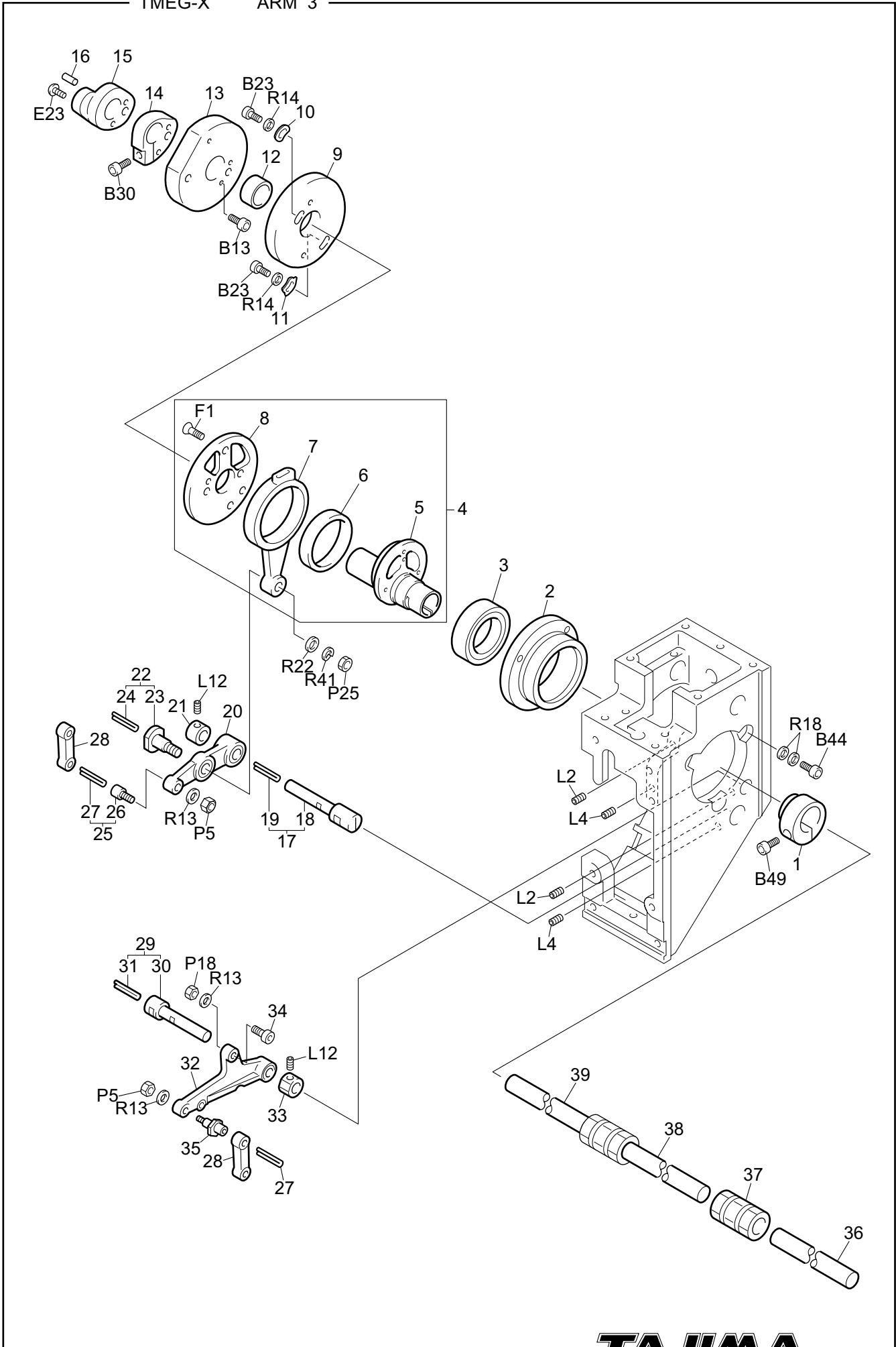
Ref.No.	Description	Part No.	Remark
1	Arm	FX05010A0000	
2	Arm Top Cover	EG05320A0000	
3	Arm Rail, Upper	EF052603****	
3	Arm Rail, Upper	FX055701****	12-Needle
4	Spring Pin	BPSP03120000	3P*12
5	Slide Roller	EF055300####	
5	Slide Roller	FX0558001200	12-Needle
6	Take-up Lever Rail Holder L	FX0556LB****	
7	Take-up Lever Rail Holder R	FX0556RB****	
8	Take-up Lever Guide Rail	EF05140A****	
8	Take-up Lever Guide Rail	FX05590A****	12-Needle
8	Take-up Lever Guide Rail	EF0514B00000	9-needle 240P M/C,last head
8	Take-up Lever Guide Rail	FX0559B00000	12-needle 330P M/C,last head
9	Arm Side Cover A	FXJ5330A0000	
10	Seal Packing	FX0553200000	
11	Arm Side Cover B	FX0554AA0000	
12	Arm Side Cover B1	FX0554BA0000	For the last head
13	Cord Clip	PB000700EB00	
14	Solenoid Bracket Set	UN25008A00ED	
15	Solenoid Bracket	FXJ5380A0000	
16	Hexagon Socket Head Cap Screw	EG0219000000	
17	Jump Solenoid	FX6801S20000	
18	Cylinder Set	UN2505700000	
19	Solenoid Cover	FX0548000000	
20	Jump Kick Spring	FX0546000000	
21	Jump Lever	FX0540000000	
22	E-ring	BPE700000000	
23	Cam Roller Eccentric Pin	FXJ541000000	
24	Solenoid Lever	FXJ544000000	
25	Cam Kick Spring	FX0547000000	
26	Cam Lever	FX0542000000	
27	Spring Hook Pin B	FXJ545000000	
28	Cam Roller Pin B	FX0543000000	
29	Stopper Pin	FX0539000000	
30	Clutch Lever	FXJ549000000	
31	Return Spring	FX0550000000	
32	Clutch Knurled Screw	FX0551000000	
33	Arm Front Cover L	FX0555LB0000	
34	Arm Front Cover R	FX0555RB0000	
35	Arm Guide Plate	FX0525040000	
36	Positioning Plate	FX0526000000	
37			
38			
39			
40			
41			
42			
43			
44			
45			



TMEG-X ARM 2

GX-6-2

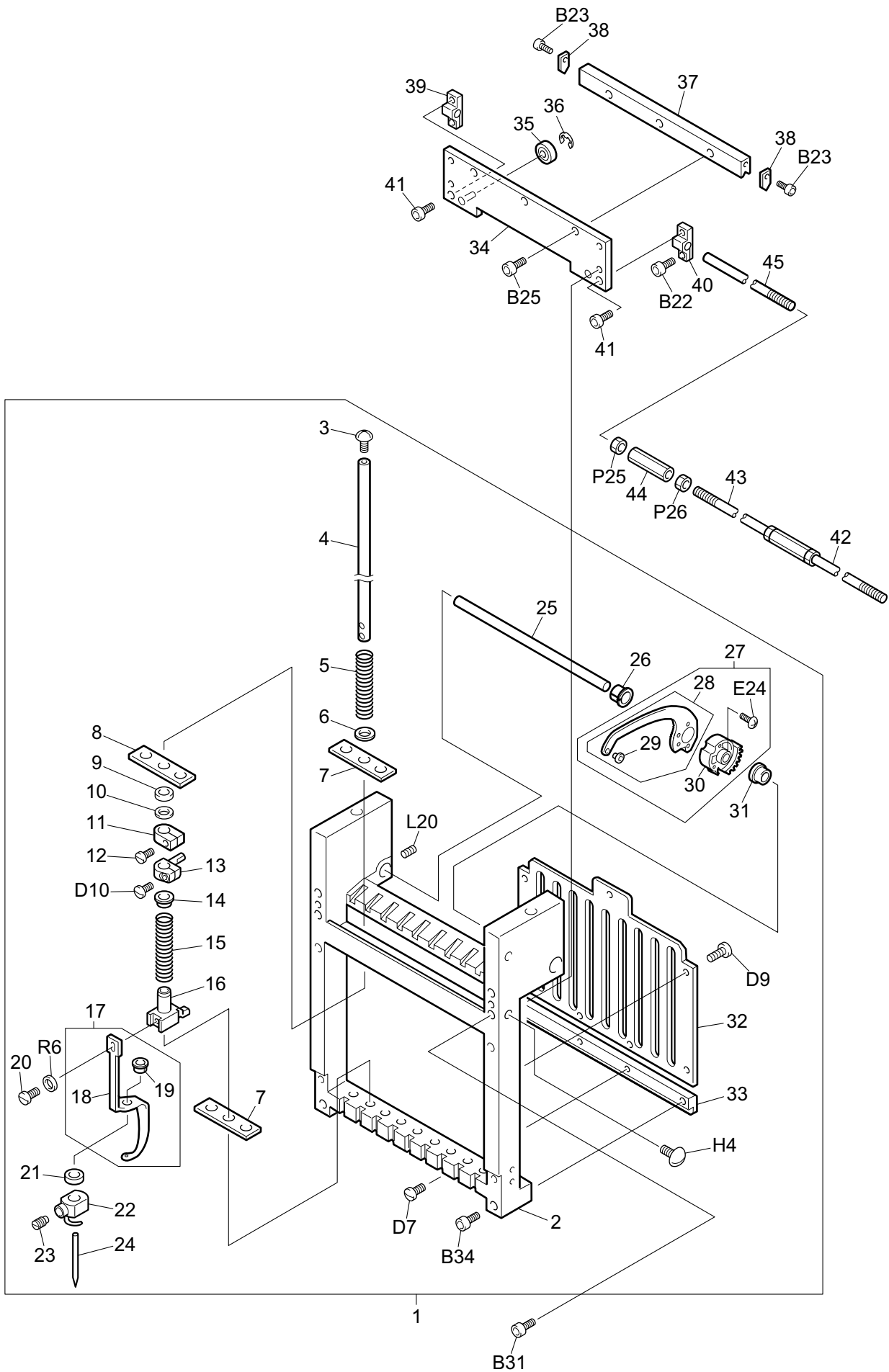
Ref.No.	Description	Part No.	Remark
1	Needle Bar Reciprocator Set	UN25009100NR	
2	Jump Spring	FX0516000000	
3	Spring Cradle	FX0564000000	
4	Needle Bar Reciprocator	FX0515000000	
5	Needle Bar Reciprocator Spacer	EF0554000000	
6	Reciprocator Slide Block	FX0565000000	
7	Needle Bar Drive Shaft Bushing	CX0506010000	
8	Stopper Base	FX0519000000	
9	No.4 Pin Set	UN2505200000	
10	No.4 Pin	EF0512010000	
11	Wick B	EF0557000000	
12	Connecting Rod Washer	EF0555010000	
13	Needle Bar Drive Shaft Felt A	FX0561010000	
14	Presser Foot Reciprocator	FX0520040000	
15	Cushion Bracket	FX0521000000	
16	Needle Bar Drive Shaft Set	UN2501102000	
17	Needle Bar Drive Shaft	FX0522030000	
18	Needle Bar Drive Shaft Wick	EG0536000000	
19	Bearing Case Collar	ME0555000000	
20	Needle Bar Drive Shaft Felt	FX0524000000	
21	Take-up Lever Drive Lever Pin Set	UN2505400000	
22	Take-up Lever Drive Lever Pin	EG0530000000	
23	Wick B	EG0544000000	
24	Take-up Lever Drive Lever A Set	EG0521040000	
25	Take-up Lever Drive Lever B	EG0529000000	
26	Take-up Lever Drive Gear	EF0517010000	
27	8mm Dia. Collar	EF0418000000	
28	Bearing Brass	EG0541000000	
29			
30			
31			
32			
33			
34			
35			
36			
37			
38			
39			
40			
41			
42			
43			
44			
45			
46			
47			
48			
49			
50			



TMEG-X ARM 3

GX-6-3

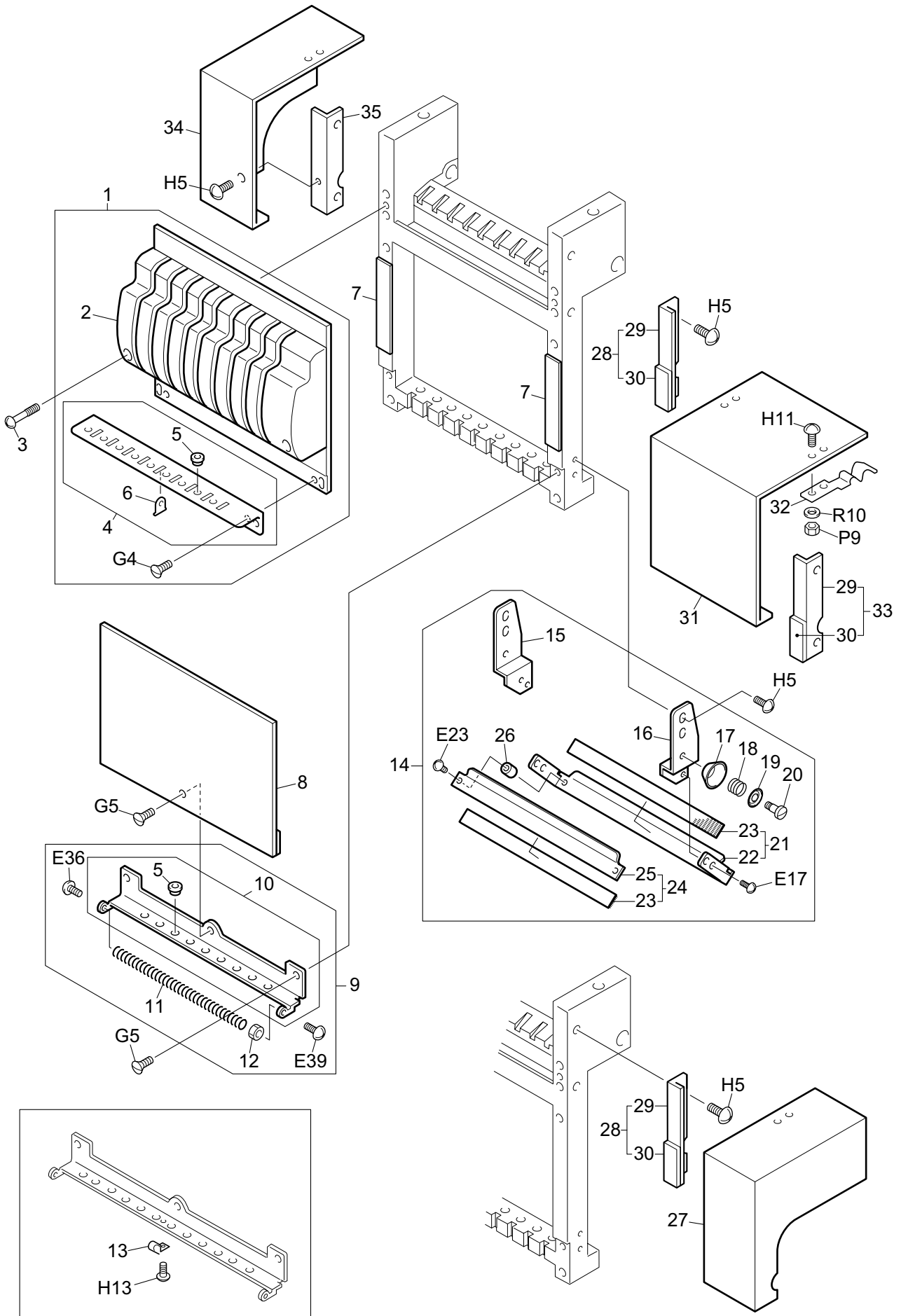
Ref.No.	Description	Part No.	Remark
1	Needle Bar Cam Tightening Collar	EF0508000000	
2	Bearing Case	EF0502010000	
3	Ball Bearing	BP6004ZZ0000	
4	Needle Bar Driver Set	UN25010000NR	
5	Needle Bar Drive Cam	EF0504010000	
6	Needle Cage	BPK384188X01	
7	Connecting Rod	EF0505010000	
8	Take-up Lever Cam Base	EF0507020000	
9	Take-up Lever Drive Cam	EF0563000000	
10	Cam Washer	EF0522000000	Inside
11	Cam Washer A	EF0522A00000	Outside
12	Cam Spacer	MX0505000000	
13	Presser Foot Cam	MX0508020000	
14	Presser Foot Cam Boss	MXJ509000000	
15	Jump Cam	FXJ561000000	
16	Spring Pin	BPSP03100000	3P*10
17	No.2 Pin Set	UN2505300000	
18	No.2 Pin	EG0528000000	
19	Wick A	EG0543000000	
20	Needle Bar Drive Lever Set	EG0527000000	
21	8mm Dia. Collar	EF0418000000	
22	No.1 Pin Set	UN2505601000	
23	No.1 Pin	FX0506010000	
24	Wick A	EF0556000000	
25	No.3 Pin Set	UN2505101000	
26	No.3 Pin	EF0511010000	
27	Wick B	EF0557000000	
28	Needle Bar Drive Connecting Rod	EF0513000000	
29	No.1 Drive Shaft Set	UN2505501000	
30	No.1 Drive Shaft	FX0504010000	
31	Wick C	EF0558000000	
32	Drive Lever	MX0510020000	
33	8mm Dia. Collar	MX0507000000	
34	Cam Follower	BPCFS4000000	
35	Eccentric Pin	MX0511010000	
36	Needle Bar Drive Shaft A	MX0810A0****	
37	N-Coupling	BPN150150000	
38	Needle Bar Drive Shaft B	MX0810B0****	
39	Needle Bar Drive Shaft C	GX0810C1****	
40			
41			
42			
43			
44			
45			
46			
47			
48			
49			
50			



TMEG-X NEEDLE BAR CASE 1

GX-7-1

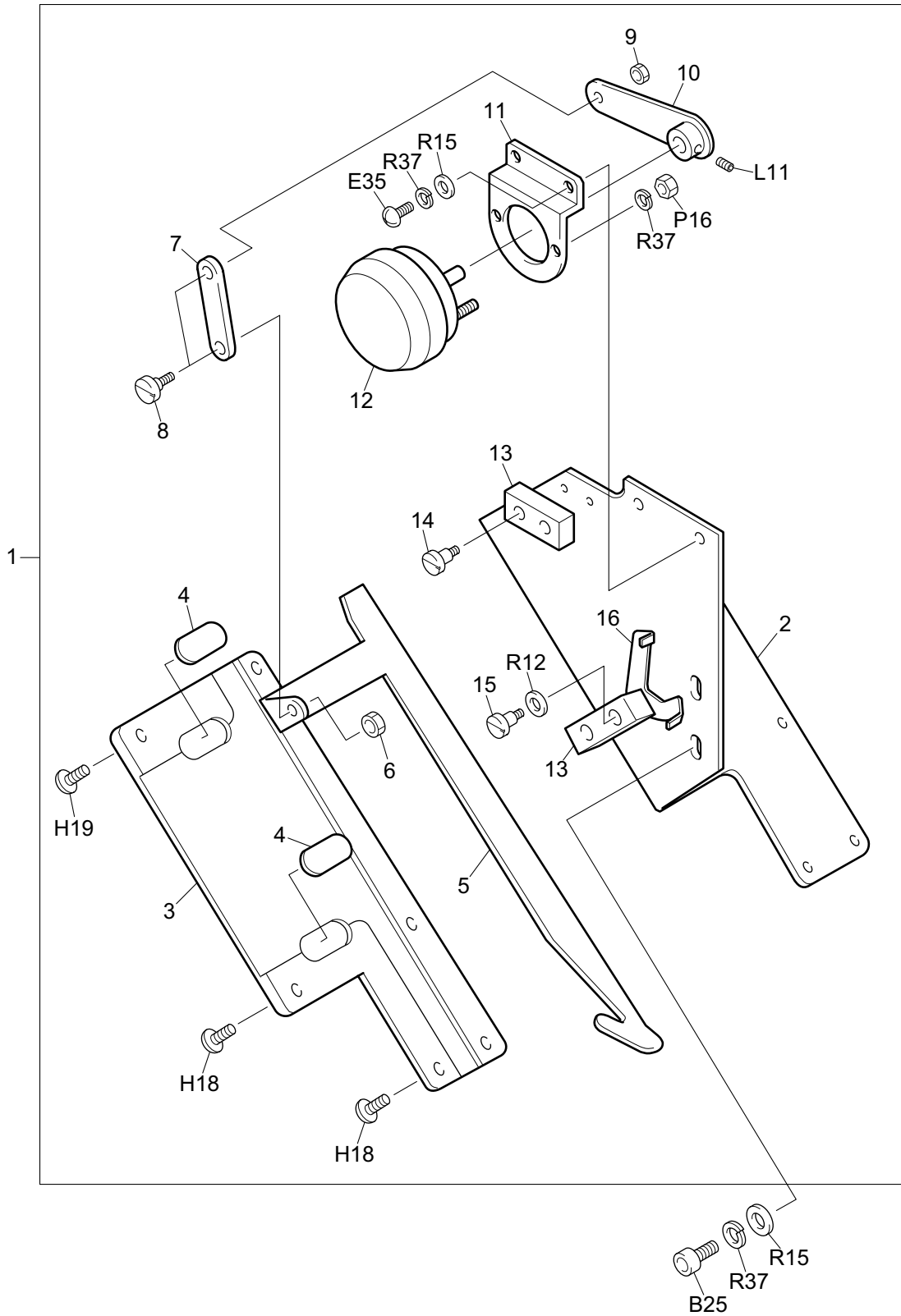
Ref.No.	Description	Part No.	Remark
1	Needle Bar Case Set	UN260041####	
1	Needle Bar Case Set	UN26C041####	For Jumbo Rotary Hook
2	Needle Bar Case	FX06010A####	
3	Holding Spring Set Screw	EF0620000000	
4	Needle Bar	FX0632000000	
5	Needle Bar Holder Spring	FX0634010000	
6	Spring Shoe Washer	EF0619000000	
7	Felt Packing	EF062300####	
8	Cushion Rubber B	EF062700####	
9	Cushion Ring F	FX0616010000	
10	Cushion Ring E	FX0615000000	
11	Upper Dead Point Stopper	EF0617010000	
12	Flat Fillister Head Screw	EF0647000000	
13	Needle Bar Connecting Stud	FX0617000000	
14	Presser Foot Spring Holder	FX0618010000	
15	Presser Foot Spring D	FX0619D10000	
16	Presser Foot Connecting Stud	FX0621010000	
17	Presser Foot Set	FX0620000000	
18	Presser Foot	FX0620100000	
19	Presser Foot Bushing	EF0613220000	
20	Presser Foot Set Screw	FX0622000000	
21	Cushion Ring A	EF0642020000	
22	Needle Clamp	EF0616010000	
23	Needle Set Screw	EF0615000000	
24	Needle	EF0640000000	DB K5-11
25	Take-up Lever Shaft	EF060200####	
25	Take-up Lever Shaft	FX0602001200	12-Needle
26	Take-up Lever Positioning Bushing	EF0606000000	
27	Take-up Lever Gear Set	FX0603S10000	
27	Take-up Lever Gear Set	FXC603S10000	For Jumbo Rotary Hook
28	Take-up Lever	FX0603010000	
28	Take-up Lever	FXC603010000	For Jumbo Rotary Hook
29	Thread Guide	MX0521000000	
30	Take-up Lever Gear	EF0603010000	
31	Take-up Lever Adjusting Bushing	EF0605000000	
32	Needle Bar Guide Rail	FX061302####	
33	Case Rail, Lower	FX061200####	
34	Guide Roller Base	FX060700####	
35	Ball Bearing	BPR1340ZZ000	
36	E-ring	BPE300000000	
37	Case Rail, Upper	FX060602####	
38	Roller Stopper	FX0635000000	
39	Color Change Bracket L	FX0609L00000	
40	Color Change Bracket R	FX0609R00000	
41	Change Bracket Set Screw	FX0611000000	
42	Slide Shaft A	MX0811A0****	
43	Slide Shaft B	MX0811B0****	
44	M6 Joint	EF0827010000	
45	Slide Shaft C	MX0811C0****	
46			



TMEG-X NEEDLE BAR CASE 2

GX-7-2

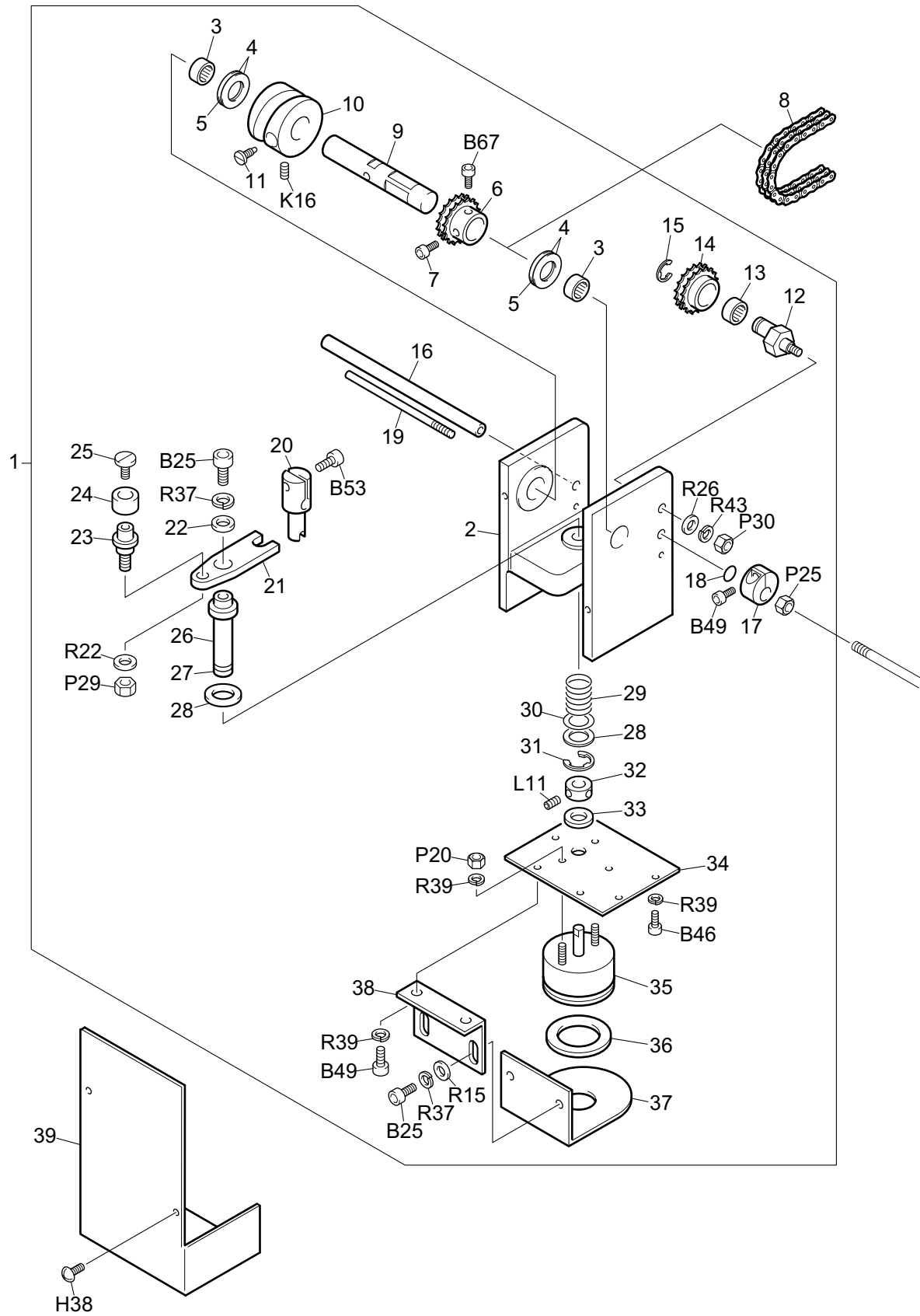
Ref.No.	Description	Part No.	Remark
1	Top Cover Set	UN260022****	
1	Top Cover Set	UN26C022****	For Jumbo Rotary Hook
2	Top Cover	CX067100####	
2	Top Cover	CXC67100####	For Jumbo Rotary Hook
3	Top Cover Attaching Screw	CX0675000000	
4	Middle Thread Guide Set	CX067200####	
5	Thread Guide	FX0626110000	
6	Thread Guide	MX0522000000	
7	Magnet Rubber	EF0635210300	
8	Face Plate	EC060101####	
9	Lower Thread Guide Set	UN260060####	
10	Lower Thread Guide	FX062601####	
11	Thread Hook Spring	EF063100####	
11	Thread Hook Spring	FX0627001200	12-Needle
12	Hexagon Nut	EF0646000000	
13	Spring Presser Bracket	FX0633010000	12-Needle
14	Thread Presser Base Set	UN680031****	
15	Upper Thread Holder Bracket L	FX0629L00000	
16	Upper Thread Holder Bracket R	FX0629R00000	
17	Thread Suspender Disk	EF0637000000	
18	Thread Suspender Spring	EF0639000000	
19	Thread Suspender Spring Presser	EF0638000000	
20	Thread Suspender Attaching Screw	AT2311000000	
21	Thread Presser Base(with attaching tape)	UN680170****	
22	Thread Presser Base	FX063010####	
23	Velcro	AT030500####	
23	Velcro	FX0631201200	12-Needle
24	Thread Presser Lid (with attaching tape)	UN680180****	
25	Thread Presser Lid	AT030300####	
25	Thread Presser Lid	FX0631101200	12-Needle
26	Thread Presser Spacer	AT0304000000	
27	Front Cover A	MX08150A0000	
28	Cover Attaching Bracket R	FX0628R30000	
29	Cover Attaching Bracket	FX0628030000	
30	Plate Magnet	FX0628200000	
31	Front Cover B	MX08160A****	
32	Cover Plate Spring	FX0805010000	
33	Cover Attaching Bracket L	FX0628L30000	
34	Front Cover C	MX08170A####	
35	Cover Attaching Bracket C	FX0628C00000	
36			
37			
38			
39			
40			
41			
42			
43			
44			
45			



TMEG-X UPPER THREAD HOLDER SET

GX-8

Ref.No.	Description	Part No.	Remark
1	Assembly Base Set	UN680051****	
2	Assembly Base	AT1301010000	
3	Base Lid A	AT1302020000	
4	Hook Cushion C	AT1307010000	
5	Upper Thread Hook A	AT1303020000	
6	Special Nut	AT0307200000	
7	Arm Connecting Rod	AT0306000000	
8	Lever Connecting Pin	AT0309000000	
9	Special Nut	AT0307100000	
10	Solenoid Arm	AT0308000000	
11	Solenoid Base	AT1304000000	
12	Upper Thread Holder Solenoid	AT6801A20000	
13	Arm Cushion	AT1309000000	
14	Thread Suspender Attaching Screw	AT2311000000	
15	Cushion Pin B	AT1306000000	
16	Upper Thread Holder Clutch	AT1305000000	
17			
18			
19			
20			
21			
22			
23			
24			
25			
26			
27			
28			
29			
30			
31			
32			
33			
34			
35			
36			
37			
38			
39			
40			
41			
42			
43			
44			
45			
46			
47			
48			
49			
50			



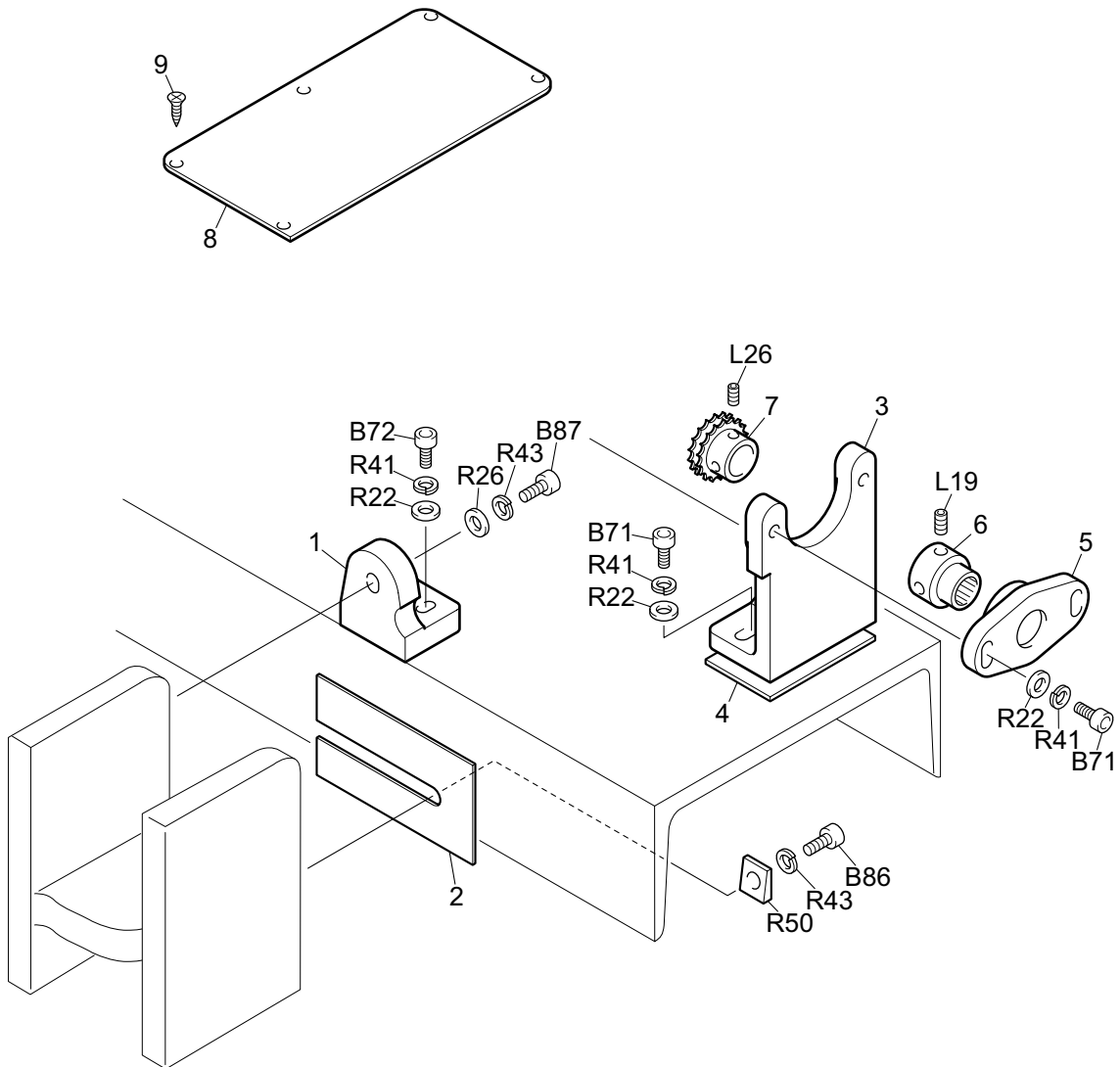
TMEG-X CAM DRIVE SYSTEM SET 1

GX-9-1

Ref.No.	Description	Part No.	Remark
1	Cam Attaching Base Set	UN680021G000	
2	Cam Attaching Base	AT01010A0000	
3	Needle Bearing	BPHMK1515000	
4	Thrust Washer	BPSW1528AS00	
5	Thrust Bearing	BPSB15280000	
6	15mm Dia. Sprocket	AT0104000000	
7	Sprocket Fixing Screw	AT0124000000	
8	Roller Chain	AT1108000000	
9	Cam Shaft	AT0102000000	
10	Cam	AT0103000000	
11	Cam Attaching Screw	AT0123000000	
12	Tension Eccentric Pin	IS0111000000	
13	Needle Bearing	BPHMK1015000	
14	Tension Sprocket	AT0117000000	
15	E-ring	BPE800000000	
16	Thread Trimming Base Shaft	AT0115010000	
17	Cushion Connecting Stud	AC0405000000	
18	O-Ring	BPS100000000	
19	Guide Pin	AT0114000000	
20	Lever Drive Pin	AT0113000000	
21	Cam Lever	AT0105000000	
22	Lever Fixing Washer	AT0109000000	
23	Cam Pin	AT0110000000	
24	Cam Roller	AT0111000000	
25	Lid Screw	AT0112010000	
26	Lever Support Pin	AT0106010000	
27	Support Pin Cushion	AT0106100000	
28	Cushion Washer A	AT0107000000	
29	Cam Roller Return Spring	AT0108010000	
30	Washer B	AT0122000000	
31	E-ring	BPE120000000	
32	7.94mm Dia. Collar	EF0209000000	
33	Cushion Washer B	AT0116000000	
34	Solenoid Base	AT11050A0000	
35	Thread Trimming Solenoid	AT6802A00000	
36	Solenoid Cushion	AT0119000000	
37	Plunger Holder	AT0121000000	
38	Plunger Bracket	AT0120000000	
39	Cam Base Cover	AT11030A0000	
40			
41			
42			
43			
44			
45			
46			
47			
48			
49			
50			

Note: As for parts with marks # or *, please follow our instructions on Tab. of Client's invoice parts order.

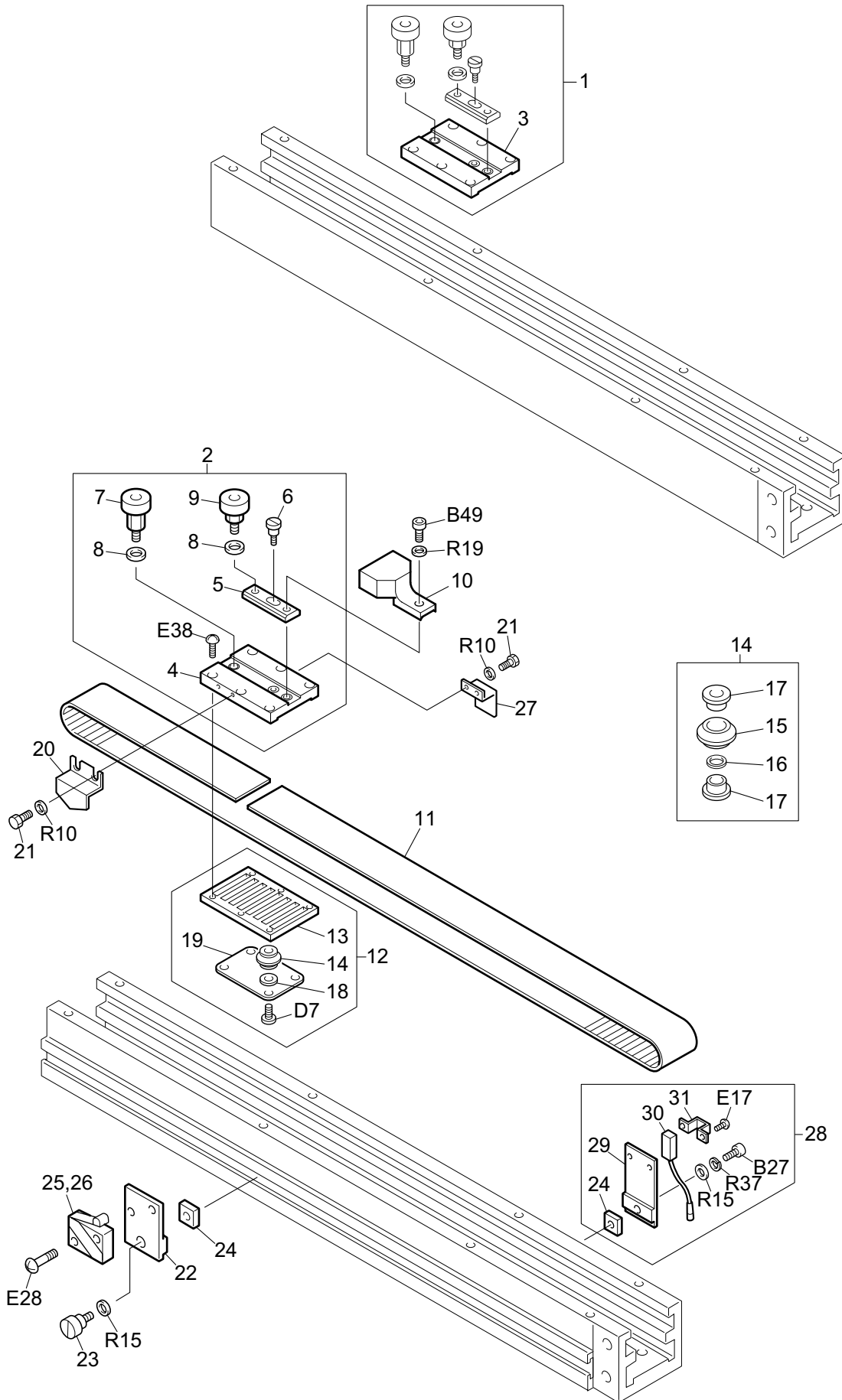
iBH05 j



TMEG-X CAM DRIVE SYSTEM SET 2

GX-9-2

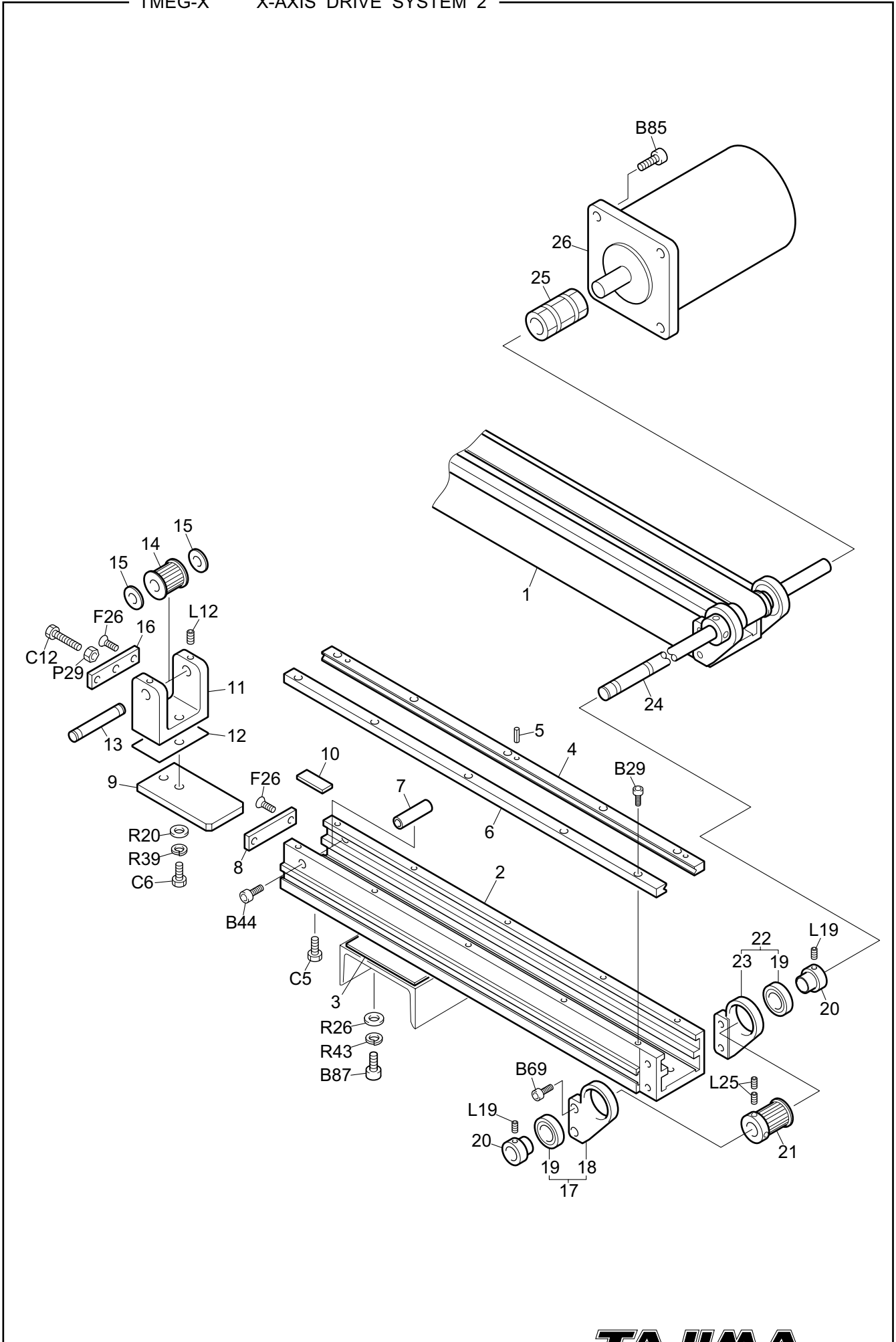
Ref.No.	Description	Part No.	Remark
1	Cam Base Bracket	AT11010A0000	
2	Driver Cam Base Spacer	MX083200****	
3	Rotary Hook Shaft Holder	AT11040A0000	
4	Rotary Hook Shaft Holder Spacer	AT1109010000	For Regular Rotary Hook
5	Rotary Hook Base Shaft Holder	AT11060A0000	
6	15mm Dia. Needle Collar	EF0208000000	
7	15mm Dia. Sprocket	AT0104000000	
8	Chain Cover	EF0806010000	
9	Countersunk Head Wood Screw		3.1P*12
10			
11			
12			
13			
14			
15			
16			
17			
18			
19			
20			
21			
22			
23			
24			
25			
26			
27			
28			
29			
30			
31			
32			
33			
34			
35			
36			
37			
38			
39			
40			
41			
42			
43			
44			
45			
46			
47			
48			
49			
50			



TMEG-X X-AXIS DRIVE SYSTEM 1

GX-10-1

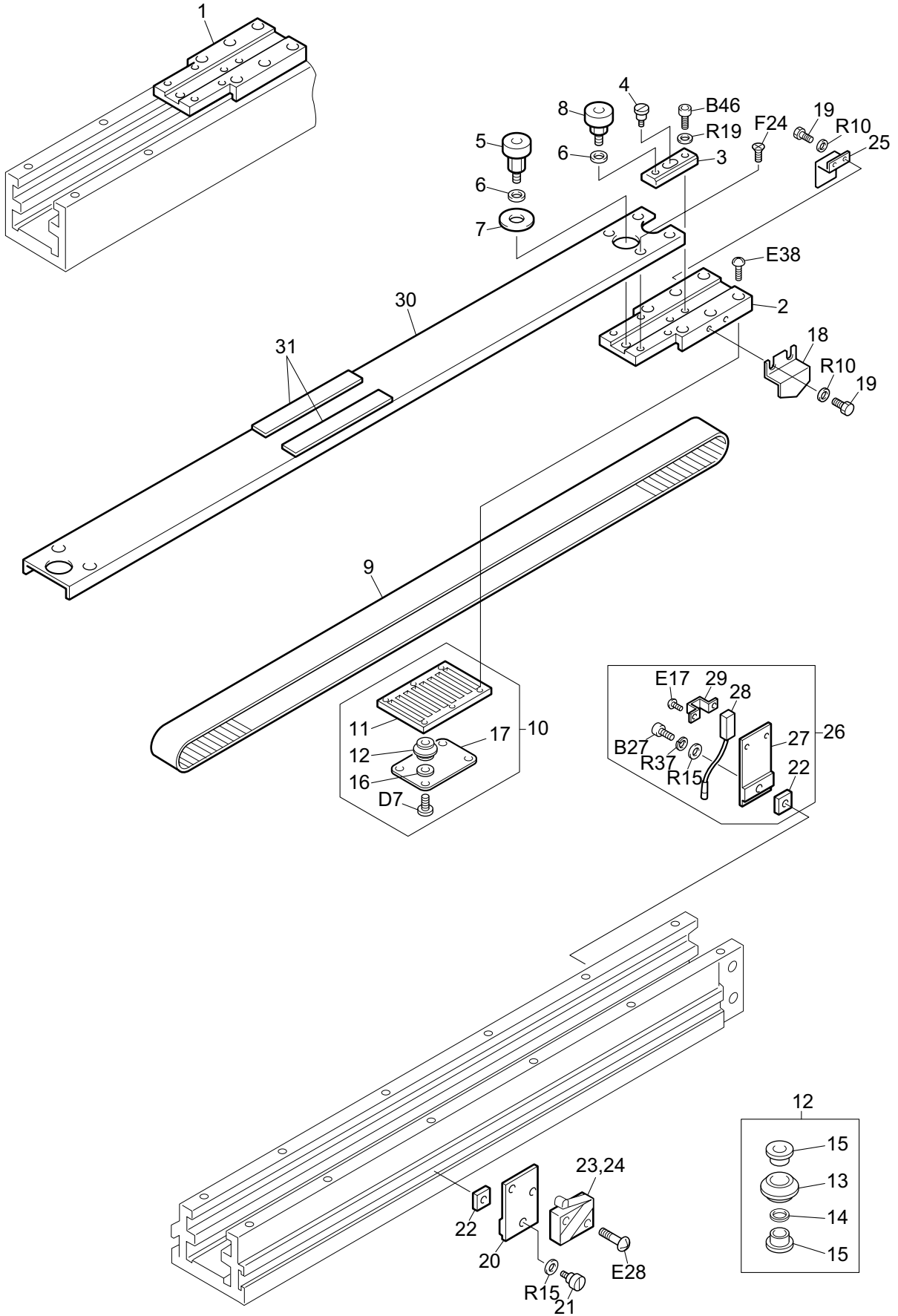
Ref.No.	Description	Part No.	Remark
1	X-axis Feed Plate A Set	UN110020MXA0	Standard
1	X-axis Feed Plate C Set	UN110020MXC0	M,G-Spec.M/C
2	X-axis Feed Plate B Set	UN110020MXB0	Standard
2	X-axis Feed Plate D Set	UN110020MXD0	M,G-Spec.M/C
3	X-axis Feed Plate A	MX0705A00000	Standard
3	X-axis Feed Plate C	MX0705C00000	M,G-Spec.M/C
4	X-axis Feed Plate B	MX0705B00000	Standard
4	X-axis Feed Plate D	MX0705D00000	M,G-Spec.M/C
5	Presser Roller Base	EG0715020000	
6	Roller Base Guide Pin	EG0718000000	
7	Bearing Pin A	EG0778010000	
8	Roller Pin Spacer	EG0770000000	
9	Bearing Pin B	EG0779010000	
10	X-axis Roller Cover	MX07140A0000	
11	Timing Belt	BPS5M35N****	Standard
11	Timing Belt	BPS5M50N****	M,G-Spec.M/C
12	Belt Catcher Plate A Set	UN110070A000	Standard
12	Belt Catcher Plate B Set	UN110070B000	M,G-Spec.M/C
13	Belt Catcher Plate A	MX0706A00000	Standard
13	Belt Catcher Plate B	MX0706B00000	M,G-Spec.M/C
14	No.1 Roller Set	EF0709000000	
15	No.1 Roller	EF0709100000	
16	Liner Plate	EF0709200000	
17	Ball Bearing	BPLF1280ZZ00	
18	Roller Washer	EF0726000000	
19	No.1 Roller Connecting Plate	MX0719000000	Standard
19	No.1 Roller Connecting Plate	EGG771000000	M,G-Spec.M/C
20	LS Dog Base	MX0730010000	
21	Hexagon Bolt	EG0780000000	
22	Limit Switch Base A	EG0727A10000	
23	Adjusting Knob	EG0731000000	
24	Fixing Base	EG0730000000	
25	Limit Switch	PB001000SP00	
26	Actuator	MS6602000000	
27	0-point Search Plate	EGG733010000	
28	Proximity Switch A Set	UN110160A000	
29	Sensor Attaching Base A	EG0732A10000	
30	Proximity Switch	EG6601000000	
31	Proximity Switch Lock	PB001000KN01	
32			
33			
34			
35			
36			
37			
38			
39			
40			
41			
42			



TMEG-X X-AXIS DRIVE SYSTEM 2

GX-10-2

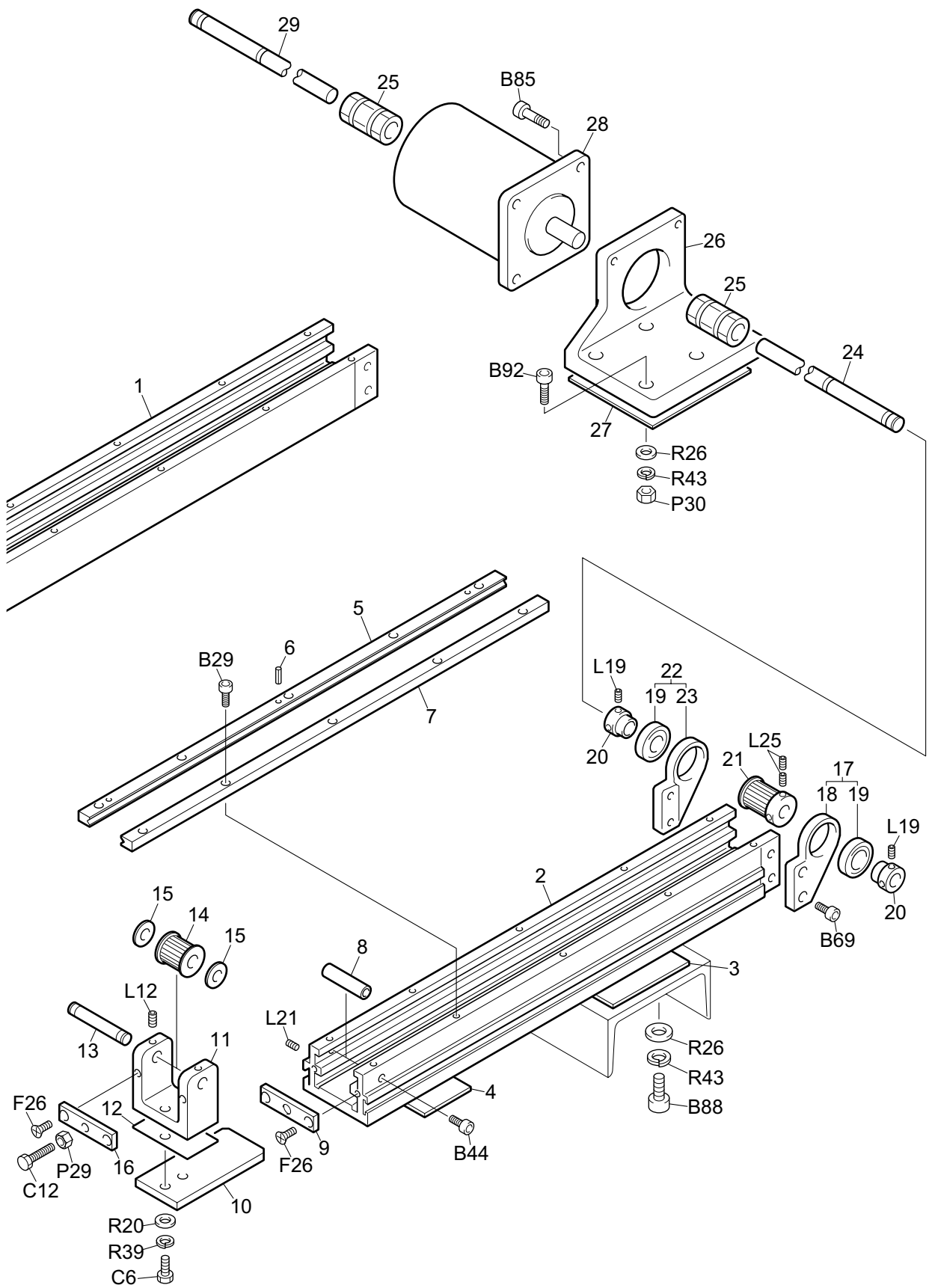
Ref.No.	Description	Part No.	Remark
1	X-axis Driver Frame A	MX0702A1****	Standard
1	X-axis Driver Frame C	MX0702C1****	M,G-Spec.M/C
2	X-axis Driver Frame B	MX0702B1****	Standard
2	X-axis Driver Frame D	MX0702D1****	M,G-Spec.M/C
3	Driver Cam Base Spacer	MX083200****	
4	X-axis Driver Frame Rail A	EF0704A1****	
5	Spring Pin	BPSP04120000	4P*12
6	X-axis Driver Frame Rail B	EF0704B1****	
7	Driver Reinforcing Shaft	EG0741000000	Standard
7	Driver Reinforcing Shaft	EGG741000000	M,G-Spec.M/C
8	Tension Rivet Plate	EG0709000000	Standard
8	Tension Rivet Plate	EGG709000000	M,G-Spec.M/C
9	Tension Base	EG0707000000	Standard
9	Tension Base	EGG707000000	M,G-Spec.M/C
10	Tension Liner	EG0710000000	
11	Tension Bearing Case B	EG0706B00000	Standard
11	Tension Shaft Holder	EGG706000000	M,G-Spec.M/C
12	Tension Base Spacer A	MX0712A10000	Standard
12	Tension Base Spacer B	MX0712B10000	M,G-Spec.M/C
13	Tension Shaft	EG0711000000	Standard
13	Tension Shaft	EGG711000000	M,G-Spec.M/C
14	Tension-side Timing Pulley A Set	UN110030A000	Standard
14	Tension-side Timing Pulley B Set	UN110030B000	M,G-Spec.M/C
15	Washer	BPTW12250000	
16	Tension Plate	EG0708000000	Standard
16	Tension Plate	EGG708000000	M,G-Spec.M/C
17	Bearing Case Plate BL (with Bearing)	MXL707B0S000	
18	Bearing Case Plate BL	MXL707B00000	
19	Needle Bearing	BPHK18120000	
20	15mm Dia. Needle Collar	EF0208000000	
21	Driver-side Timing Pulley A	MX0710A00000	Standard
21	Driver-side Timing Pulley B	MX0710B00000	M,G-Spec.M/C
22	Bearing Case Plate BR (with Bearing)	MXR707B0S000	
23	Bearing Case Plate BR	MXR707B00000	
24	X-axis Drive Shaft	MX082800****	Standard
24	X-axis Drive Shaft	MXM82800****	M-Spec.M/C only
24	X-axis Drive Shaft	LGG81101****	G-Spec.M/C only
25	N-Coupling	BPN150150000	
26	Pulse (Stepping) Motor	EH6403000000	Standard,M-Spec.M/C
26	Pulse (Stepping) Motor	LG6404000000	G-Spec.M/C only
27			
28			
29			
30			
31			
32			
33			
34			
35			
36			



TMEG-X Y-AXIS DRIVE SYSTEM 1

GX-11-1

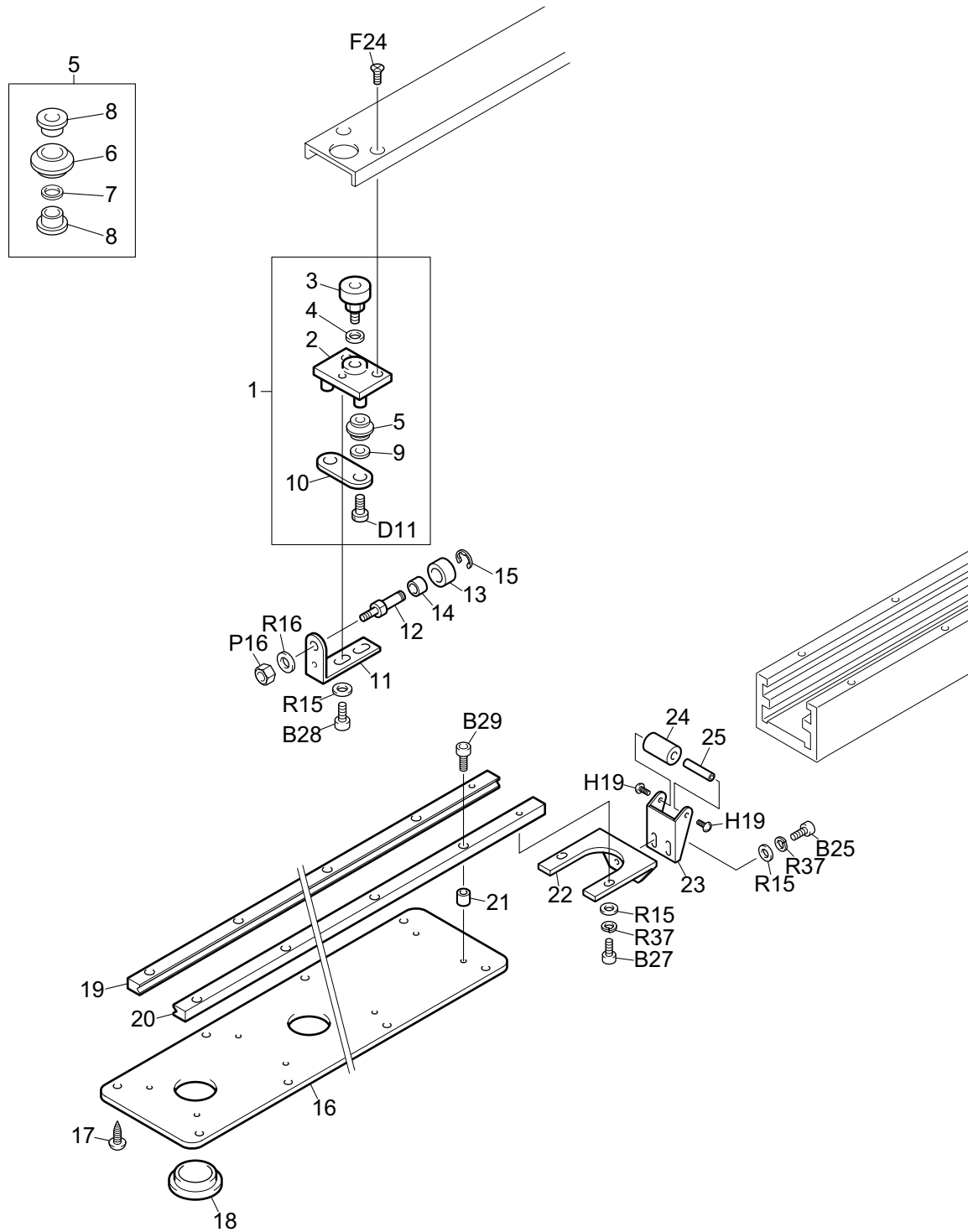
Ref.No.	Description	Part No.	Remark
1	Y-axis Feed Plate, Rear A	MX0703A00000	Belt Width:35mm
1	Y-axis Feed Plate, Rear C	MX0703C00000	Belt Width:50mm
2	Y-axis Feed Plate, Rear B	MX0703B00000	Belt Width:35mm
2	Y-axis Feed Plate, Rear D	MX0703D00000	Belt Width:50mm
3	Presser Roller Base	EG0715020000	
4	Roller Base Guide Pin	EG0718000000	
5	Bearing Pin A	EG0778010000	
6	Roller Pin Spacer	EG0770000000	
7	Frame Catcher Plate	MX0313010000	
8	Bearing Pin B	EG0779010000	
9	Timing Belt	BPS5M35N****	35mm wide type
9	Timing Belt	BPS5M50N****	50mm wide type
10	Belt Catcher Plate A Set	UN110070A000	Belt Width:35mm
10	Belt Catcher Plate B Set	UN110070B000	Belt Width:50mm
11	Belt Catcher Plate A	MX0706A00000	Belt Width:35mm
11	Belt Catcher Plate B	MX0706B00000	Belt Width:50mm
12	No.1 Roller Set	EF0709000000	
13	No.1 Roller	EF0709100000	
14	Liner Plate	EF0709200000	
15	Ball Bearing	BPLF1280ZZ00	
16	Roller Washer	EF0726000000	
17	No.1 Roller Connecting Plate	MX0719000000	Belt Width:35mm
17	No.1 Roller Connecting Plate	EGG771000000	Belt Width:50mm
18	LS Dog Base	MX0730010000	
19	Hexagon Bolt	EG0780000000	
20	Limit Switch Base B	EG0727B10000	Standard
20	Limit Switch Base A	EG0727A10000	M,G-Spec.M/C
21	Adjusting Knob	EG0731000000	
22	Fixing Base	EG0730000000	
23	Limit Switch	PB001000SP00	
24	Actuator	MS6602000000	
25	0-point Search Plate	EGG733010000	
26	Proximity Switch B Set	UN110160B000	Standard
26	Proximity Switch A Set	UN110160A000	M,G-Spec.M/C
27	Sensor Attaching Base B	EG0732B10000	Standard
27	Sensor Attaching Base A	EG0732A10000	M,G-Spec.M/C
28	Proximity Switch	EG6601000000	
29	Proximity Switch Lock	PB001000KN01	
30	Y-axis Feed Connecting Plate	MX070400****	
31	Connecting Plate Felt	MX0704100000	Y-space 680mm or more
32			
33			
34			
35			
36			
37			
38			
39			
40			
41			



TMEG-X Y-AXIS DRIVE SYSTEM 2

GX-11-2

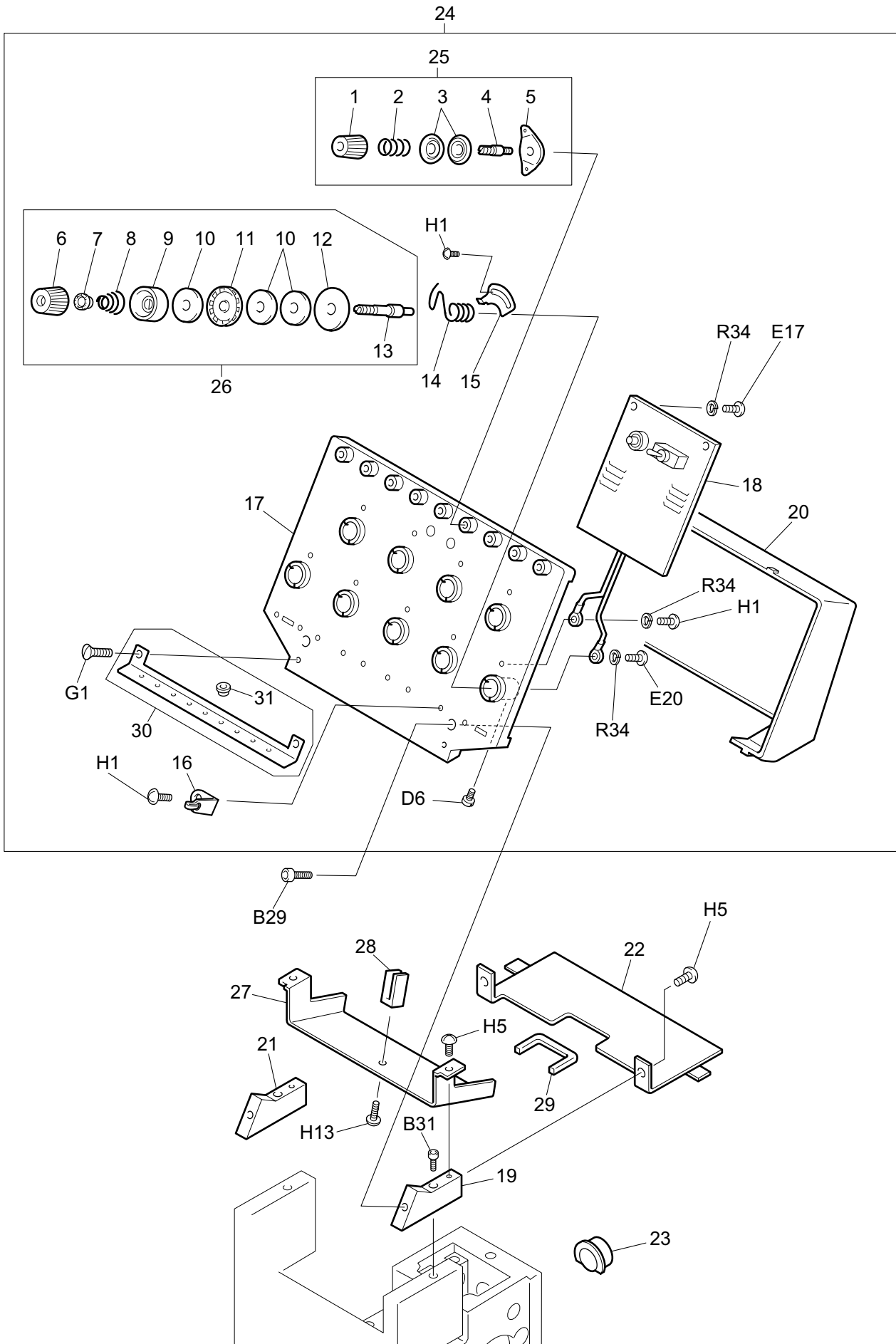
Ref.No.	Description	Part No.	Remark
1	Y-axis Driver Frame A	MX0701A2****	Belt Width:35mm
1	Y-axis Driver Frame C	MX0701C2****	Belt Width:50mm
2	Y-axis Driver Frame B	MX0701B2****	Belt Width:35mm
2	Y-axis Driver Frame D	MX0701D2****	Belt Width:50mm
3	Driver Cam Base Spacer	MX083200****	
4	Driver Spacer C	EF083100****	
5	Y-axis Driver Frame Rail A	EG0703A1****	
6	Spring Pin	BPSP04120000	4P*12
7	Y-axis Driver Frame Rail B	EG0703B1****	
8	Driver Reinforcing Shaft	EG0741000000	Belt Width:35mm
8	Driver Reinforcing Shaft	EGG741000000	Belt Width:50mm
9	Tension Rivet Plate	EG0709000000	Belt Width:35mm
9	Tension Rivet Plate	EGG709000000	Belt Width:50mm
10	Tension Base	EG0707000000	Belt Width:35mm
10	Tension Base	EGG707000000	Belt Width:50mm
11	Tension Bearing Case A	EG0706A00000	Belt Width:35mm
11	Tension Shaft Holder	EGG706000000	Belt Width:50mm
12	Tension Base Spacer A	MX0712A10000	Belt Width:35mm
12	Tension Base Spacer B	MX0712B10000	Belt Width:50mm
13	Tension Shaft	EG0711000000	Belt Width:35mm
13	Tension Shaft	EGG711000000	Belt Width:50mm
14	Tension-side Timing Pulley A Set	UN110030A000	Belt Width:35mm
14	Tension-side Timing Pulley B Set	UN110030B000	Belt Width:50mm
15	Washer	BPTW12250000	
16	Tension Plate	EG0708000000	Belt Width:35mm
16	Tension Plate	EGG708000000	Belt Width:50mm
17	Bearing Case Plate BL (with Bearing)	MXL707B0S000	
18	Bearing Case Plate BL	MXL707B00000	
19	Needle Bearing	BPHK18120000	
20	15mm Dia. Needle Collar	EF0208000000	
21	Driver-side Timing Pulley A	MX0710A00000	Belt Width:35mm
21	Driver-side Timing Pulley B	MX0710B00000	Belt Width:50mm
22	Bearing Case Plate BR (with Bearing)	MXR707B0S000	
23	Bearing Case Plate BR	MXR707B00000	
24	Y-axis Drive Shaft A	MX0809A0****	
25	N-Coupling	BPN150150000	
26	Pulse Motor Base	MX07180A0000	
27	Motor Base Spacer	EF0828000000	0.5t,1.0t,2.0t
28	Pulse (Stepping) Motor	EH6404000000	Standard,M-Spec.M/C
28	Pulse (Stepping) Motor	LG6405000000	G-Spec.M/C only
29	Y-axis Drive Shaft B	MX0809B1****	
30			
31			
32			
33			
34			
35			
36			
37			
38			



TMEG-X Y-AXIS DRIVE SYSTEM 3

GX-11-3

Ref.No.	Description	Part No.	Remark
1	Y-axis Feed Plate, Front Set	EG0719S5****	
2	Y-axis Feed Plate, Front	EG071904****	
3	Y-axis Feed Plate, Front Pin	EG0777010000	
4	Roller Pin Spacer	EG0770000000	
5	No.1 Roller Set	EF0709000000	
6	No.1 Roller	EF0709100000	
7	Liner Plate	EF0709200000	
8	Ball Bearing	BPLF1280ZZ00	
9	Roller Washer	EF0726000000	
10	Roller Guide	EF0725000000	
11	Roller Attaching Bracket	EG0772010000	
12	Roller Pin	EG0773000000	
13	Roller	EG0774000000	
14	Dry Bearing	BPMB0406DU00	
15	E-ring	BPE300000000	
16	Front Rail Holder	EF071500****	Belt Width:35mm
16	Front Rail Holder	MX070900****	Belt Width:50mm
17	Round Head Wood Screw		4.5P*20
18	Grommet	BPMG09003000	
19	Y-axis Rail, Front L	EF0714L0****	
20	Y-axis Rail, Front R	EF0714R0****	
21	Rail Spacer	EF0716000000	
22	Bearing Case Base A	EF0721A10000	
22	Bearing Case Base B	EF0721B10000	For C-2
23	Bearing Case	EF0720020000	
24	Roller	EF0722000000	
25	Roller Pin	EF0723010000	
26			
27			
28			
29			
30			
31			
32			
33			
34			
35			
36			
37			
38			
39			
40			
41			
42			
43			
44			
45			
46			
47			
48			



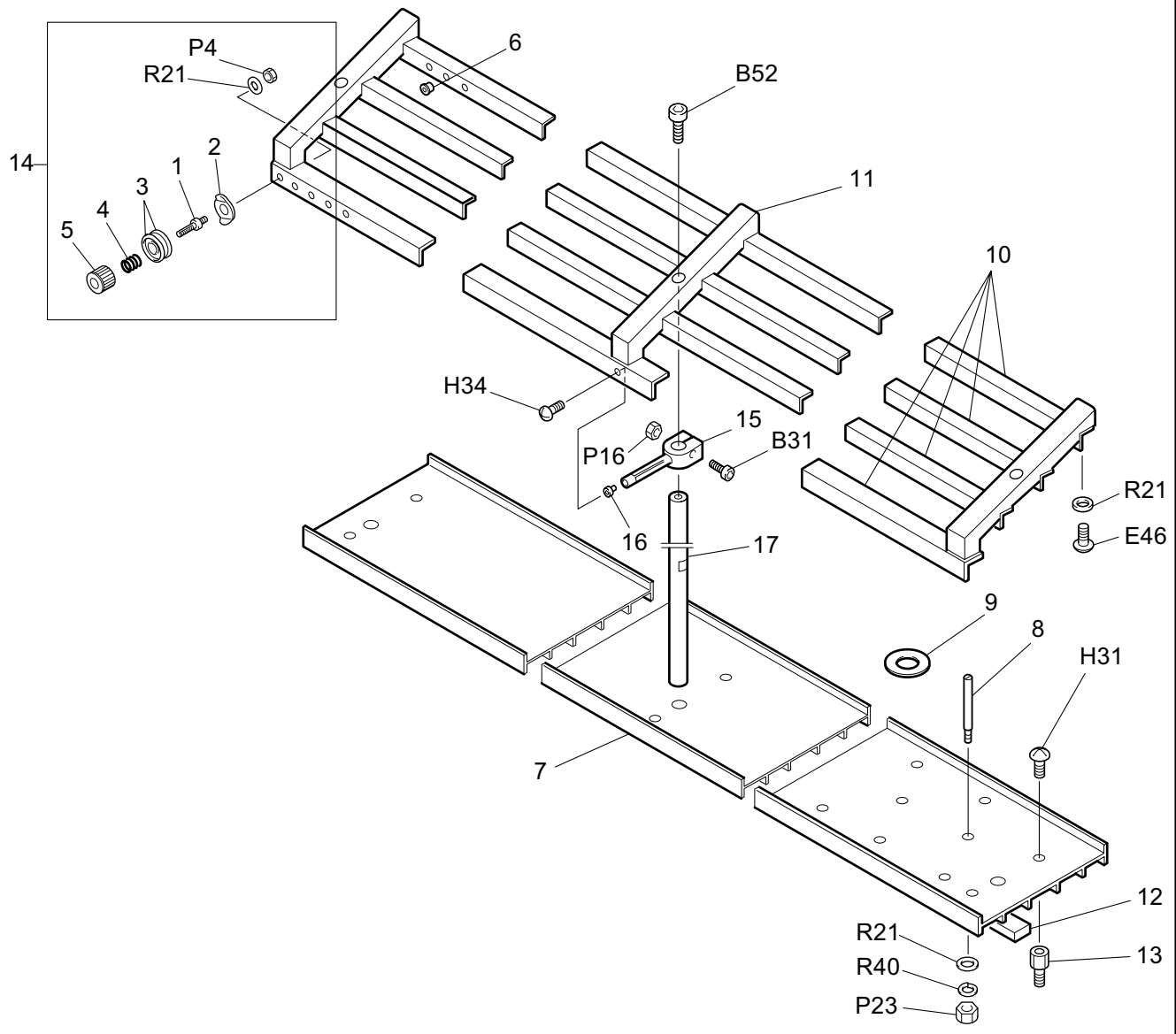
TMEG-X INDIVIDUAL TENSION BASE

GX-12

Ref.No.	Description	Part No.	Remark
1	First Thread Tension Spring Screw	LG09220A0000	
2	First Tension Spring B	LG0960000000	
3	First Tension Disk	LG0920000000	
4	First Tension Stud	LG0918010000	
5	First Tension Thread Course	LG0919010000	
6	Adjusting Screw	EF09090A0000	
7	Spring Hook	EF0910000000	
8	Tension Spring	EF0908000000	
9	Tension Collar	EF0906000000	
10	Felt Packing	EF0904000000	
11	Rotary Tension Disk	EF0905010000	
12	Insulation Plate	EF0903000000	
13	Tension Stud	LG0923000000	
14	Thread Take-up Spring	EF0907010000	
15	Thread Breakage Detecting Contact Point	LG0916000000	
16	Tension Base Middle Thread Guide	LG0917020000	
17	Individual Tension Base	FX09010A####	
18	Tension Base Card (PC Board)	EG7203030000	
19	Individual Tension Base Support R	LG0912RA0000	
20	Tension Base Cover	FX09030A####	
21	Individual Tension Base Support L	LG0912LA0000	
22	Tension Base Cord Cover A @ (Right Side)	MX0901AA####	
22	Tension Base Cord Cover B (Middle)	MX0901BA####	
22	Tension Base Cord Cover C (Left Side)	MX0901CA####	
23	Harness Guard Bushing	MX0833010000	
24	Individual Tension Base Set	UN230023****	
25	First Tension Set	UN150500A001	
26	Tension Base Tension Set	UN2305000001	
27	Cord Support Cover	FX09100A####	
28	Harness Clamp	MX0902000000	
29	Rubber Bushing	PB003400EB00	
30	Tension Base Lower Thread Guide	CX090100####	
31	Thread Guide	MX0521000000	
32			
33			
34			
35			
36			
37			
38			
39			
40			
41			
42			
43			
44			
45			
46			
47			
48			

Note: As for parts with marks # or * please follow our instructions on Tab of Client in your parts order.

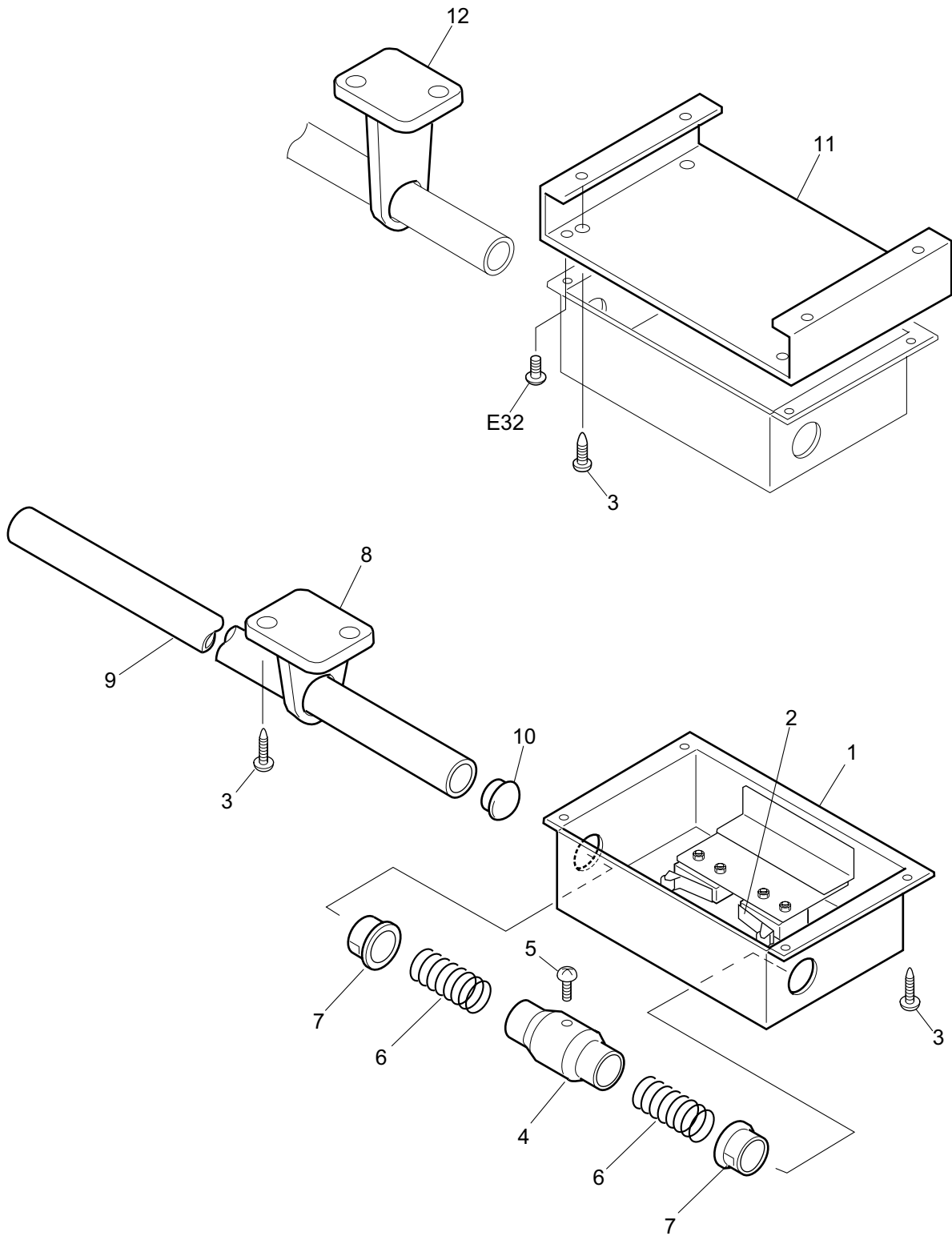
From the library of: Superior Sewing Machine & Supply LLC



TMEG-X THREAD STAND

GX-13

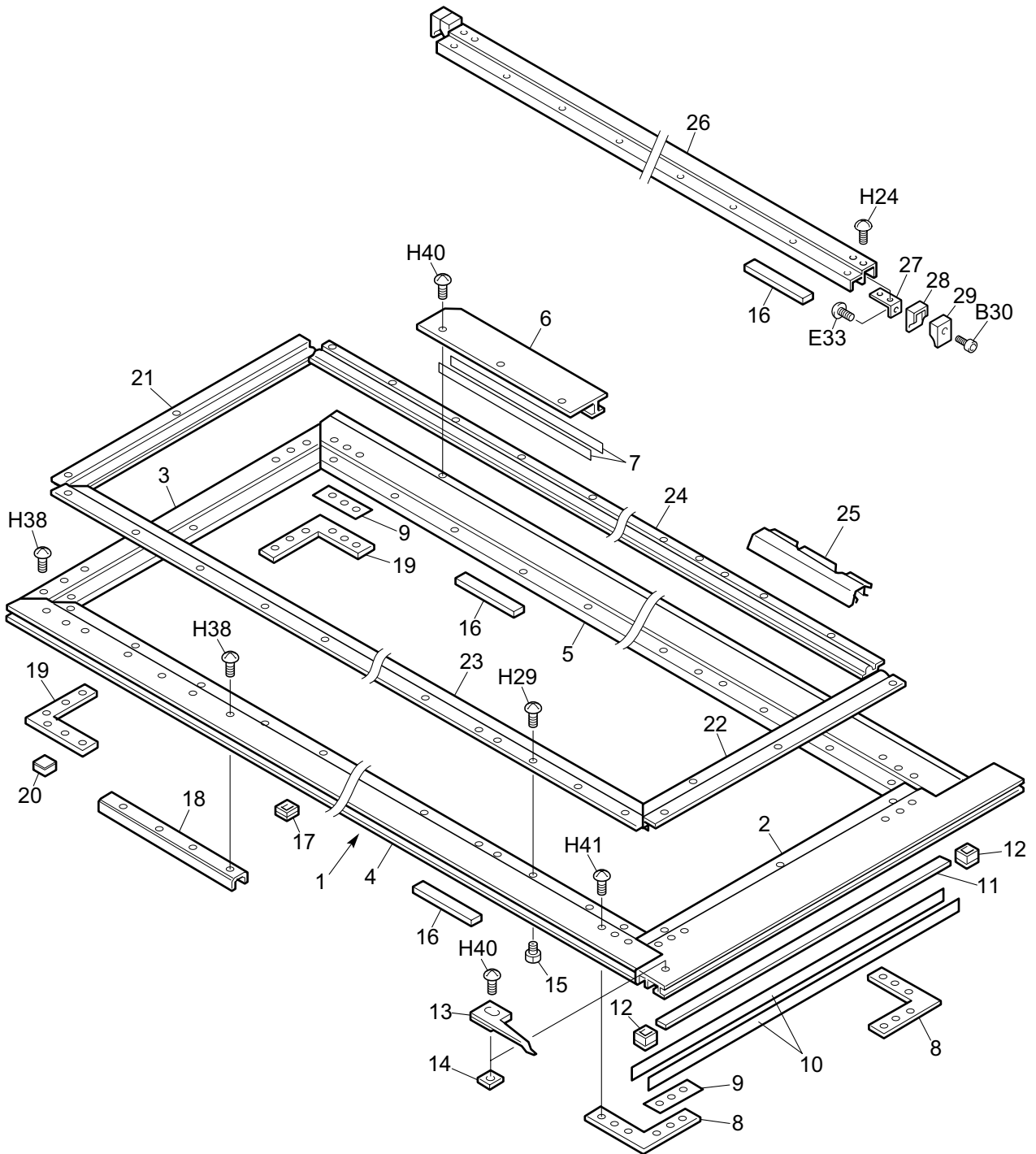
Ref.No.	Description	Part No.	Remark
1	No.1 Tension Stud	EC0D30000000	
2	No.1 Tension Thread Course	LG0919010000	
3	No.1 Tension Disk	LG0920000000	
4	No.1 Tension Spring B	LG0960000000	
5	No.1 Thread Tension Spring Screw	LG09220A0000	
6	Thread Guide A	EF0942A00000	White
6	Thread Guide B	EF0942B00000	Red
7	Thread Stand Plate	MX080500****	
8	Thread Stand Stud	EF0939010000	
9	Thread Stand Felt	EF0940000000	
10	Thread Course	MX080402****	
11	Thread Course Stay	MX083000****	
12	Thread Stand Plate Felt	MX0805120000	
13	Thread Stand Plate Attaching Stud	MX0821020000	
14	No.1 Tension Set	UN150500B001	
15	Reinforcing Guide	MX0837010000	
16	Rubber Bushing	BPQ400000000	
17	Thread Stand Shaft A	EF0937A20000	
17	Thread Stand Shaft	CT0603010000	For M/C 6246mm or longer
18			
19			
20			
21			
22			
23			
24			
25			
26			
27			
28			
29			
30			
31			
32			
33			
34			
35			
36			
37			
38			
39			
40			
41			
42			
43			
44			
45			
46			
47			
48			



TMEG-X BAR SWITCH BOX

GX-14

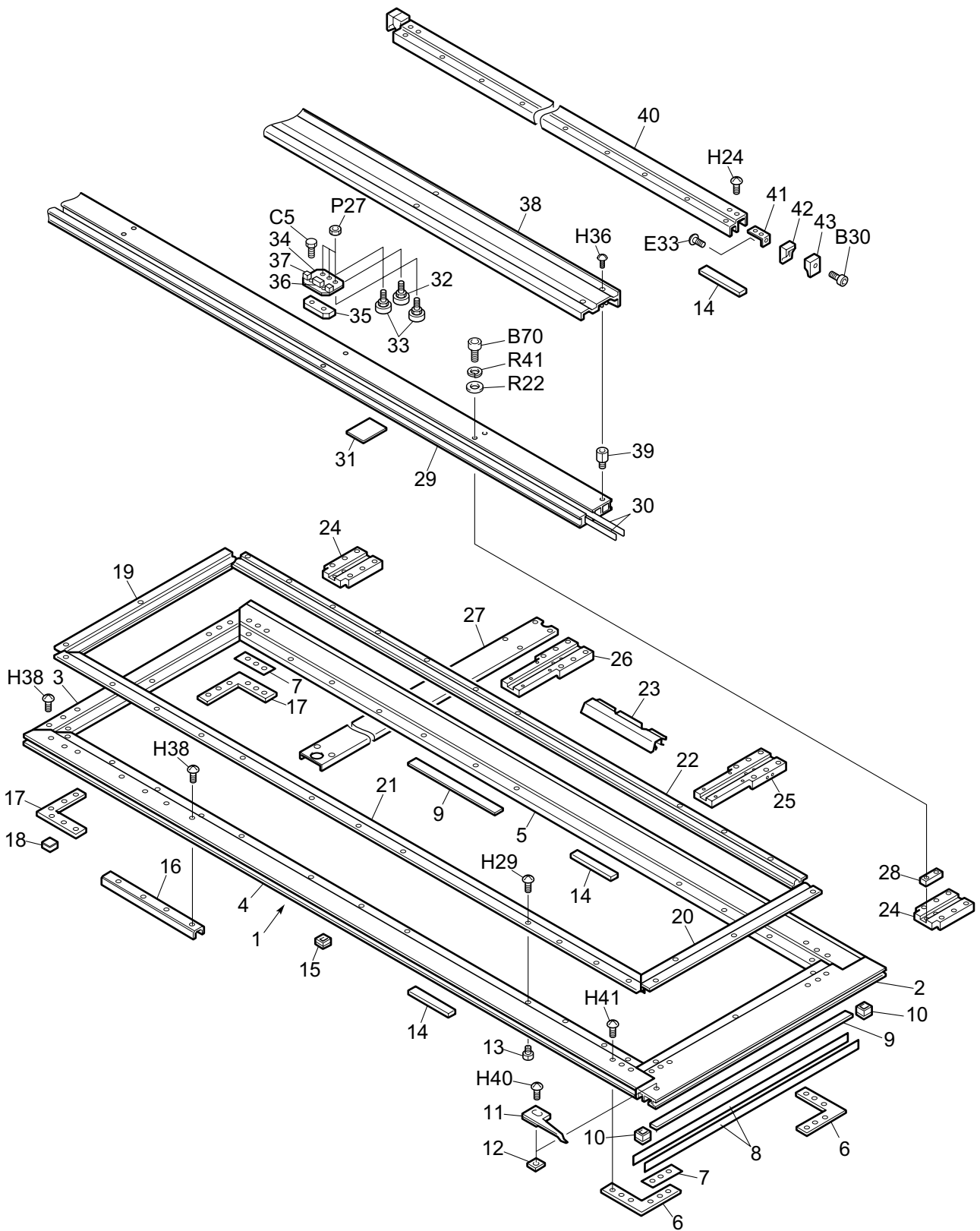
Ref.No.	Description	Part No.	Remark
1	Bar Switch Box	MS5800A00000	
2	Limit Switch	PB000100SP00	
3	Round Head Wood Screw		4.5P*20
4	LS Dog	EF1104000000	
5	Truss Head Tapping Screw		4P*16
6	Return Spring	EF1106000000	
7	Bushing	EF1107000000	
8	Bar Switch Support	EF11080A****	
9	Switch Bar	EF110900****	
10	Side Cover Lid	EF1109200000	
11	Bar Switch Box Attaching Plate	TC01060A0000	For Table Cut
12	Bar Switch Support	TC01040A0000	For Table Cut
13			
14			
15			
16			
17			
18			
19			
20			
21			
22			
23			
24			
25			
26			
27			
28			
29			
30			
31			
32			
33			
34			
35			
36			
37			
38			
39			
40			
41			
42			
43			
44			
45			
46			
47			
48			
49			
50			



TMEG-X EMBROIDERY FRAME A

GX-15a

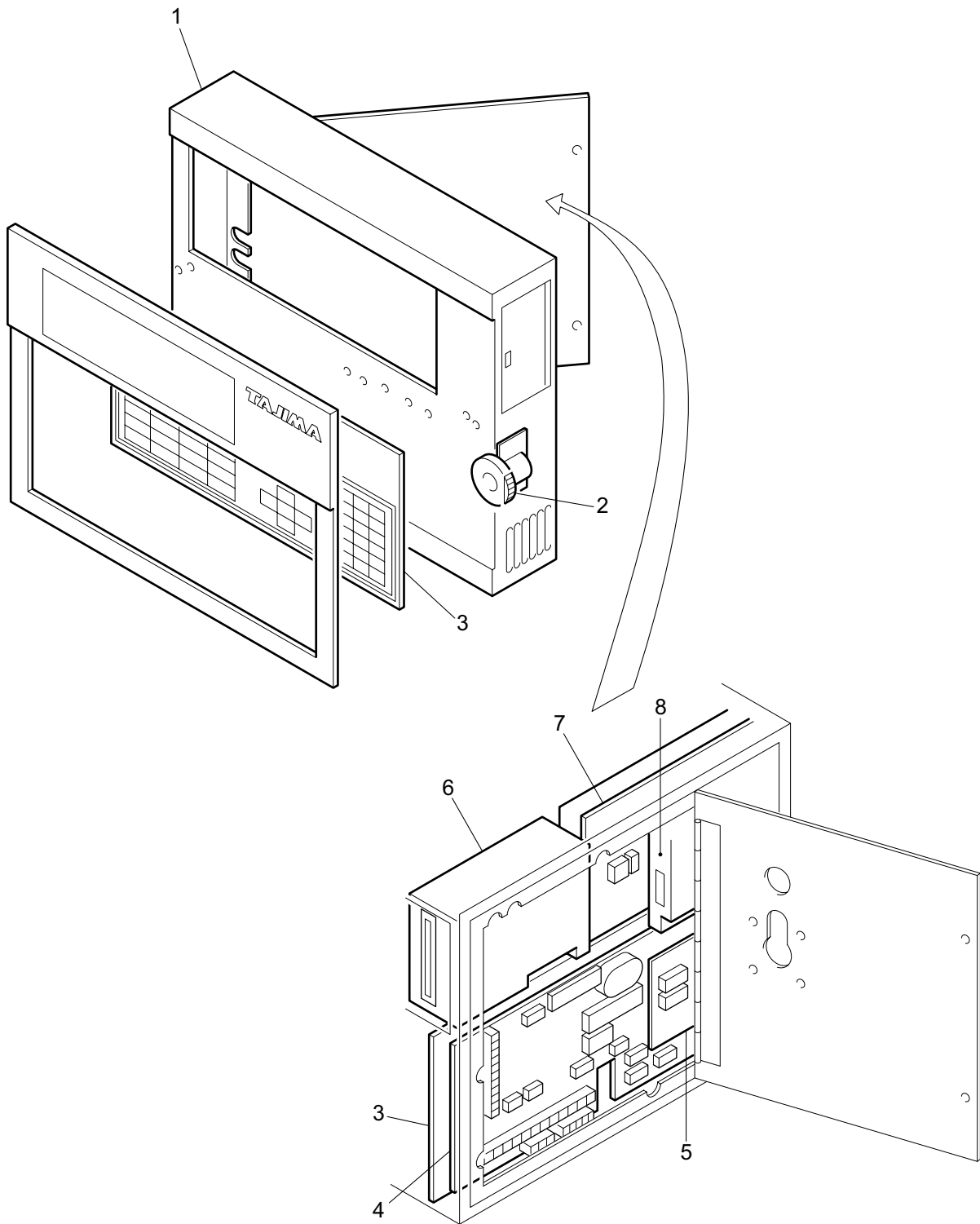
Ref.No.	Description	Part No.	Remark
1	Base Frame Sash Set	MX0300S0****	
2	Right Side Y-axis Frame Sash	MX030100****	
3	Left Side Y-axis Frame Sash	MX030200****	
4	Front Sash	MX030300****	
5	Rear Sash	MX030400****	
6	Rear Frame Sash Rail	MX030500****	
7	Rail Plate, Crosswise	MX031100****	
8	Right Corner C	MX0306000000	
9	Corner Liner	MX0314000000	
10	Rail Plate, Lengthwise	MX031000****	
11	Right Side Y-axis Sash Felt	MX0309010000	
12	No.5 Cork Set	MX0315020000	
13	Embroidery Space Indicator	MX0312000000	
14	Embroidery Space Indicator Plate Nut	SF0314000000	
15	Screw Ring	EF0303000000	
16	No.4 Felt	EG031700****	
17	No.1 Cork Set	EG0321020000	
18	Frame Rail	EN030200****	
19	Left Corner C	MX0307000000	
20	No.3 Cork Set	EG0325010000	
21	Border Frame Lengthwise Sash L	EF0305L1****	
22	Border Frame Lengthwise Sash R	EF0305R1****	
23	Border Frame Crosswise Sash	EG031200****	
24	Border Frame Crosswise Sash B	EG0312B0****	
25	Border Frame Clip	EG032600****	For X-axis
25	Border Frame Clip B	MX0320B0****	For Y-axis
26	Middle Sash	EG031301****	
27	Inner Frame Attachment C	EF0311000000	
28	Inner Frame Attachment A	EF0309000000	
29	Inner Frame Attachment B	EF0310000000	
30			
31			
32			
33			
34			
35			
36			
37			
38			
39			
40			
41			
42			
43			
44			
45			
46			
47			
48			
49			



TMEG-X EMBROIDERY FRAME B

GX-15b

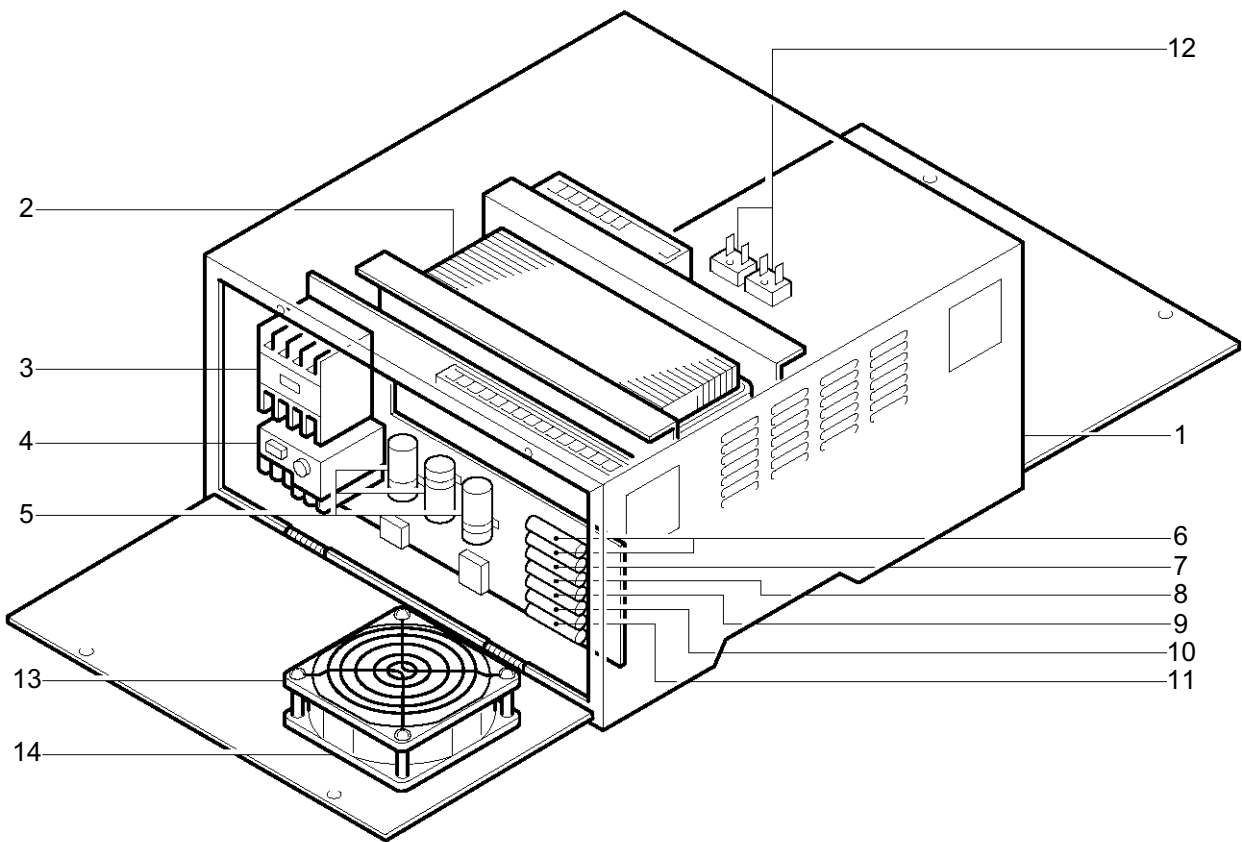
Ref.No.	Description	Part No.	Remark
1	Base Frame Sash Set	MXZ300S1****	
1	Base Frame Sash Set	MXV300S1****	G-Spec.M/C only
2	Right Side Y-axis Frame Sash	MXZ30100****	
3	Left Side Y-axis Frame Sash	MX030200****	
4	Front Sash	MXZ30300****	
4	Front Sash	MXV30300****	G-Spec.M/C only
5	Rear Sash	MXZ30400****	
5	Rear Sash	MXV30400****	G-Spec.M/C only
6	Right Corner C	MX0306000000	
7	Corner Liner	MX0314000000	
8	Rail Plate, Lengthwise	MX031000****	
9	Right Side Y-axis Sash Felt	MX0309010000	
10	No.5 Cork Set	MX0315020000	
11	Embroidery Space Indicator	MX0312000000	
12	Embroidery Space Indicator Plate Nut	SF0314000000	
13	Screw Ring	EF0303000000	
14	No.4 Felt	EG031700****	
15	No.1 Cork Set	EG0321020000	
16	Frame Rail	EN030200****	
17	Left Corner C	MX0307000000	
18	No.3 Cork Set	EG0325010000	
19	Border Frame Lengthwise Sash L	EF0305L1****	
20	Border Frame Lengthwise Sash R	EF0305R1****	
21	Border Frame Crosswise Sash	EG031200****	
22	Border Frame Crosswise Sash B	EG0312B0****	
23	Border Frame Clip	EG032600****	For X-axis
23	Border Frame Clip B	MX0320B0****	For Y-axis
24	Y-axis Feed Plate, Rear A	MXZ703A10000	Belt Width:35mm
24	Y-axis Feed Plate, Rear A	MXV703A10000	Belt Width:50mm
25	Y-axis Feed Plate, Rear D	MXZ703D10000	
26	Y-axis Feed Plate, Rear C	MXZ703C10000	
27	Y-axis Feed Connecting Plate	EFZ70201****	
28	Reinforcing Sash Spacer	MXZ312000000	
29	Reinforcing Sash	MXZ31001****	
29	Reinforcing Sash	MXV31001****	G-Spec.M/C only
30	Rail Plate, Crosswise	MX031100****	
31	Felt		91.5*50*1t
32	Bearing Pin A	MXZ314A00000	
33	Bearing Pin B	MXZ314B00000	
34	Reinforcing Sash Connecting Bracket	MXZ305020000	
35	Bracket Spacer	MXZ306020000	
36	Connecting Bracket Felt A	MXZ315A00000	
37	Connecting Bracket Felt B	MXZ315B00000	
38	Reinforcing Sash Cover	MXZ31101****	
38	Reinforcing Sash Cover	MXV31101****	G-Spec.M/C only
39	Z-spec. Frame Sash Cover Stud	MXZ313000000	
40	Middle Sash	FC031201****	
41	Inner Frame Attachment C	EF0311000000	
42	Inner Frame Attachment A	EF0309000000	
43	Inner Frame Attachment B	EF0310000000	



TMEG-X OPERATION PANEL BOX

GX-16

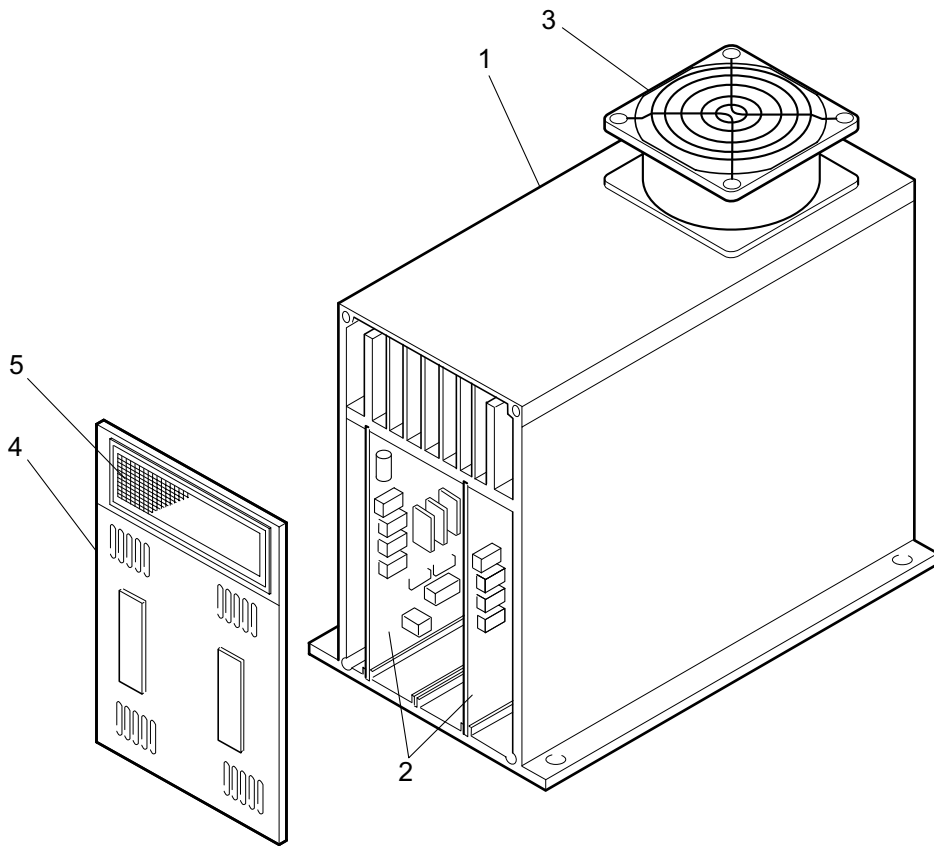
Ref.No.	Description	Part No.	Remark
1	Operation Panel Box	EG5200E3000	Japanese
1	Operation Panel Box	EG5200F3000	English
1	Operation Panel Box	EG5200G3000	Chinese
1	Operation Panel Box	EG5200H3000	Korean
2	6-Contrast 2 Card	EG520700000	
3	Membrane Switch	EG520501000	Japanese
3	Membrane Switch	EG5205A1000	English
3	Membrane Switch	EG5205B1000	Chinese
3	Membrane Switch	EG5205D1000	Korean
4	Panel-24 Card A	EG521100000	
5	KOREAN-ROM Card	EG521300000	Optional for Korean Spec.
6	Floppy Disk Drive	PB000700RE0	
7	LCD Module	PB000100LP0	
8	DC Power Supply	PB002000PW0	
9			
10			
11			
12			
13			
14			
15			
16			
17			
18			
19			
20			
21			
22			
23			
24			
25			
26			
27			
28			
29			
30			
31			
32			
33			
34			
35			
36			
37			
38			
39			
40			
41			
42			
43			
44			



TMEG-X POWER SUPPLY BOX

GX-17

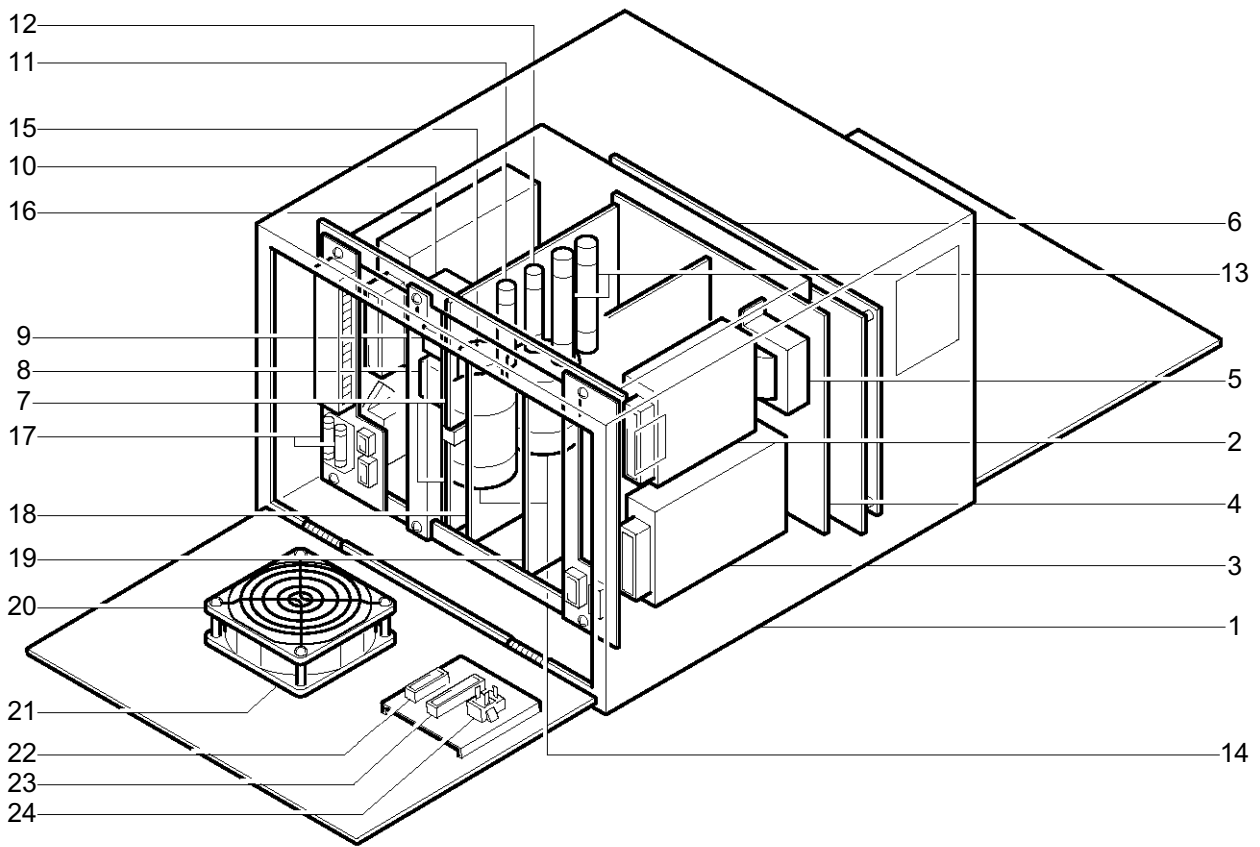
Ref.No.	Description	Part No.	Remark
1	Power Supply Box	EG5604C10000	
2	Transformer	PB004600TV00	
3	Electro-magnetic Contactor	PB000600KM00	
4	Thermal Relay	PB001200KA00	
5	Surge Absorber	PB000200RS00	
6	Glass Tube Fuse	PA5042A00000	
7	Glass Tube Fuse	PA5002F00000	
8	Glass Tube Fuse	PA5002200000	
9	Glass Tube Fuse	PA5002A00000	
10	Glass Tube Fuse	PA5002800000	
11	Glass Tube Fuse	PA5002100000	
12	Receptacle	PB000200PA00	
13	Fan	PB000100BF00	
14	Air Filter	PB000200ZM00	
15			
16			
17			
18			
19			
20			
21			
22			
23			
24			
25			
26			
27			
28			
29			
30			
31			
32			
33			
34			
35			
36			
37			
38			
39			
40			
41			
42			
43			
44			
45			
46			
47			
48			
49			
50			



TMEG-X DRIVER BOX

GX-18

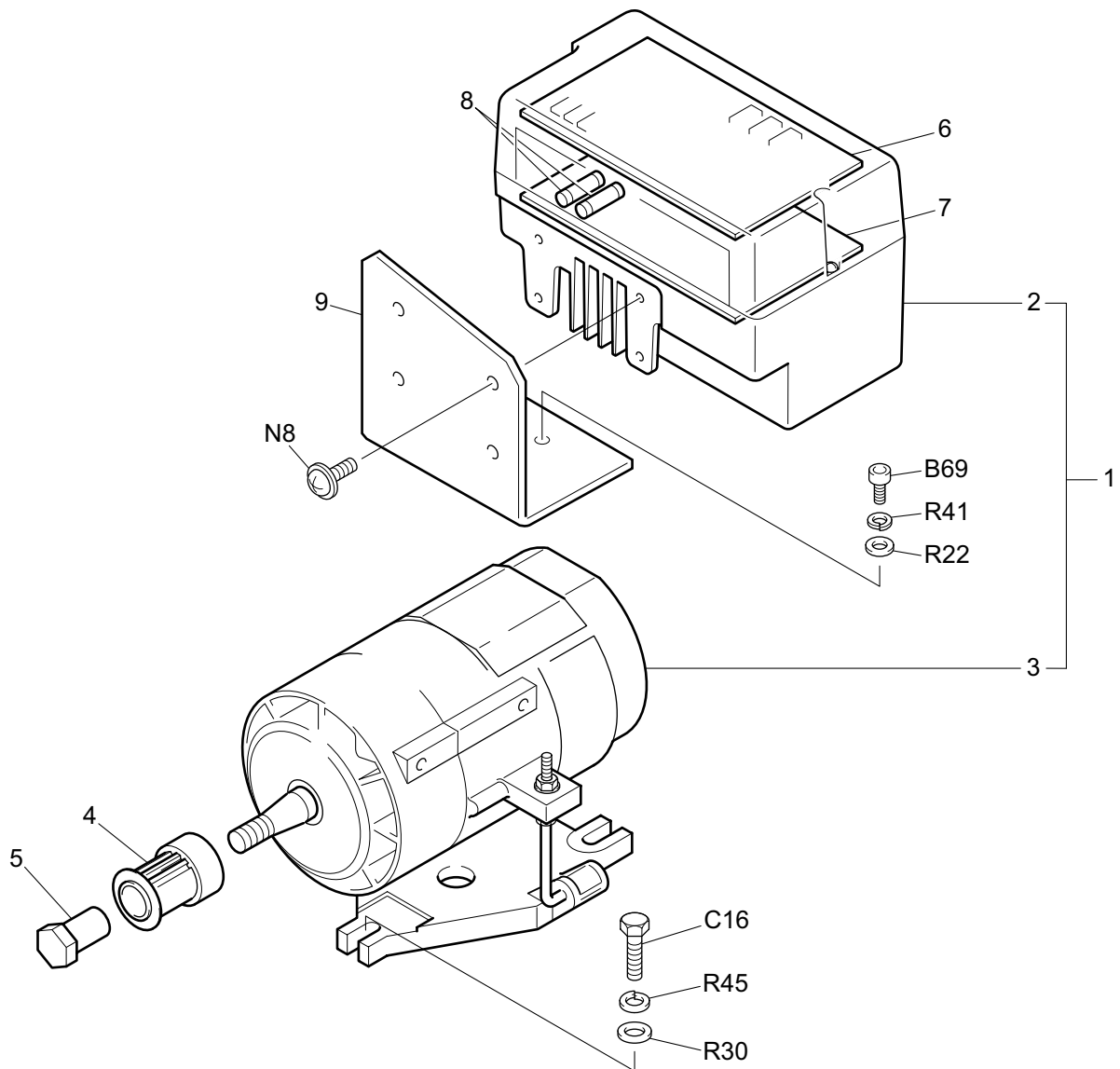
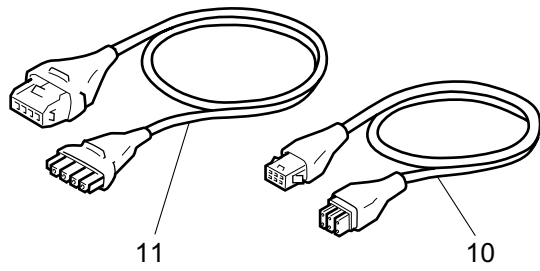
Ref.No.	Description	Part No.	Remark
1	Driver Box	EH5403A10000	
2	Driver Card (PC Board)	EH5404060000	
3	Fan	PB000700BF00	
4	Driver Box Front Panel	EH5405A00000	
5	Air Filter	PB000600ZM00	
6			
7			
8			
9			
10			
11			
12			
13			
14			
15			
16			
17			
18			
19			
20			
21			
22			
23			
24			
25			
26			
27			
28			
29			
30			
31			
32			
33			
34			
35			
36			
37			
38			
39			
40			
41			
42			
43			
44			
45			
46			
47			
48			
49			
50			



TMEG-X CONTROLLER BOX

GX-19

Ref.No.	Description	Part No.	Remark
1	Controller Box	EG5108C00000	
2	DC Power Supply	PB000601PW00	
3	DC Power Supply	PB003000PW00	
4	Mother-1 Card	EG5104000000	
5	Transformer	PB000100TV00	
6	Joint 27 Card	EG5109010000	
7	Memory-2 Card	EG5105010000	Optional
7	Memory-3 Card	EG5105A00000	Optional
8	Diode	PB000100DS00	
9	Diode	PB001400DS00	
10	Relay	PB000100KM00	
11	Resistor	PB000100RA00	
12	Resistor	PB000200RA00	
13	Resistor	PB000900RA00	
14	Electrolytic Condenser	PB000100CA00	
15	Electrolytic Condenser	PB000200CA00	
16	DC Power Supply	PB000800PW00	
17	Glass Tube Fuse	PA5002500000	
18	CPU 3 Card	EG5110000000	
19	I/O 12A Card	EG5103030000	
20	Fan	PB000100BF00	
21	Air Filter	PB000200ZM00	
22	Serial I/F Cable	EG5106000000	
23	PRT I/F Cable	EG5107000000	
24	Receptacle	PB000200PA00	
25			
26			
27			
28			
29			
30			
31			
32			
33			
34			
35			
36			
37			
38			
39			
40			
41			
42			
43			
44			
45			
46			
47			
48			
49			



TMEG-X MAIN SHAFT MOTOR

GX-20

Ref.No.	Description	Part No.	Remark
1	Main Shaft Motor Assembly	ED6211010000	
2	Main Shaft Motor Control Box	ED6212010000	
3	Main Shaft Motor	ED6202000000	
4	Drive Pulley	C50102000000	
5	Drive Pulley Nut	C50103000000	
6	A Card	ED6213010000	
7	B Card	ED6214000000	
8	Glass Tube Fuse	PA5012K00000	
9	Motor Control Box Bracket	ED0801A10000	
10	Main Shaft Motor Extension Cord A	ED6204000000	For Encoder
11	Main Shaft Motor Extension Cord B	ED6205000000	For Motor Power Supply
12			
13			
14			
15			
16			
17			
18			
19			
20			
21			
22			
23			
24			
25			
26			
27			
28			
29			
30			
31			
32			
33			
34			
35			
36			
37			
38			
39			
40			
41			
42			
43			
44			
45			
46			
47			
48			
49			
50			

No.	Part No.	Remark	No.	Part No.	Remark
A	Flat Fillister Head Screw		B19	SS6203200TNO	M 3 × 2 0
A1	SM15015450CN	1 / 8 × 4 4 × 5	B20	SS6203250TNO	M 3 × 2 5
A2	SM15015460CN	1 / 8 × 4 4 × 6	B21	SS6204050TDO	M 4 × 5
A3	SM16515530CN	9 / 6 4 × 4 0 × 3	B22	SS6204050TNO	M 4 × 5
A4	SM14020540CN	9 / 6 4 × 4 0 × 4	B23	SS6204060TNO	M 4 × 6
A5	SM16516540SA	9 / 6 4 × 4 0 × 4	B24	SS6204080TDO	M 4 × 8
A6	SM17010540CN	9 / 6 4 × 4 0 × 4	B25	SS6204080TNO	M 4 × 8
A7	SM1E515550CN	9 / 6 4 × 4 0 × 5	B26	SS6204100TDO	M 4 × 1 0
A8	SM14020560CN	9 / 6 4 × 4 0 × 6	B27	SS6204100TNO	M 4 × 1 0
A9	SM15525560CN	9 / 6 4 × 4 0 × 6	B28	SS6204120TDO	M 4 × 1 2
A10	SM15526570CN	9 / 6 4 × 4 0 × 7	B29	SS6204120TNO	M 4 × 1 2
A11	SM15020580CN	9 / 6 4 × 4 0 × 8	B30	SS6204150TNO	M 4 × 1 5
A12	SM15530580CN	9 / 6 4 × 4 0 × 8	B31	SS6204180TNO	M 4 × 1 8
A13	SM150205A0CN	9 / 6 4 × 4 0 × 1 0	B32	SS6204200TDO	M 4 × 2 0
A14	SM150205C0CN	9 / 6 4 × 4 0 × 1 2	B33	SS6204200TNO	M 4 × 2 0
A15	SM150205F0CN	9 / 6 4 × 4 0 × 1 5	B34	SS6204250TNO	M 4 × 2 5
A16	SM15422643TN	1 1 / 6 4 × 4 0 × 4 . 3	B35	SS6204250TN1	M 4 × 2 5
A17	SM17017670CN	1 1 / 6 4 × 4 0 × 7	B36	SS6204300TNO	M 4 × 3 0
A18	SM1C035675CN	1 1 / 6 4 × 4 0 × 7 . 5	B37	SS6204350TNO	M 4 × 3 5
A19	SM10825690SH	1 1 / 6 4 × 4 0 × 9	B38	SS6204400TNO	M 4 × 4 0
A20	SM146266B5CN	1 1 / 6 4 × 4 0 × 1 1 . 5	B39	SS6204450TNO	M 4 × 4 5
A21	SM172316C0CN	1 1 / 6 4 × 4 0 × 1 2	B40	SS6205060TNO	M 5 × 6
A22	SS6003080SCO	M 3 × 8	B41	SS6205080TDO	M 5 × 8
A23	SS6003080SDO	M 3 × 8	B42	SS6205080TNO	M 5 × 8
A24	SS6003100CCO	M 3 × 1 0	B43	SS6205100TDO	M 5 × 1 0
A25	SS6004100SCO	M 4 × 1 0	B44	SS6205100TNO	M 5 × 1 0
			B45	SS6205100TPO	M 5 × 1 0
			B46	SS6205120TNO	M 5 × 1 2
			B47	SS6205140TNO	M 5 × 1 4
			B48	SS6205150TDO	M 5 × 1 5
			B49	SS6205150TNO	M 5 × 1 5
B	Hexagon Socket Head Cap Screw		B50	SS6205160TNO	M 5 × 1 6
B1	SS6202080TDO	M 2 × 8	B51	SS6205180TNO	M 5 × 1 8
B2	SS6202100TDO	M 2 × 1 0	B52	SS6205200TDO	M 5 × 2 0
B3	SS6276050TNO	M 2 . 6 × 5	B53	SS6205200TNO	M 5 × 2 0
B4	SS6203030TNO	M 3 × 3	B54	SS6205220TNO	M 5 × 2 2
B5	SS6203040TNO	M 3 × 4	B55	SS6205230TNO	M 5 × 2 3
B6	SS6203050TNO	M 3 × 5	B56	SS6205250TNO	M 5 × 2 5
B7	SS6203060TDO	M 3 × 6	B57	SS6205300TNO	M 5 × 3 0
B8	SS6203060TNO	M 3 × 6	B58	SS6205350TNO	M 5 × 3 5
B9	SS6203080TDO	M 3 × 8	B59	SS6205350TN1	M 5 × 3 5
B10	SS6203080TNO	M 3 × 8	B60	SS6205500TNO	M 5 × 5 0
B11	SS6203100TDO	M 3 × 1 0	B61	SS6205500TN1	M 5 × 5 0
B12	SS6203100TNO	M 3 × 1 0	B62	SS6205550TNO	M 5 × 5 5
B13	SS6203120TNO	M 3 × 1 2	B63	SS6205600TNO	M 5 × 6 0
B14	SS6203150TDO	M 3 × 1 5	B64	SS6205600TN1	M 5 × 6 0
B15	SS6203150TNO	M 3 × 1 5	B65	SS6206080TNO	M 6 × 8
B16	SS6203160TNO	M 3 × 1 6	B66	SS6206090TNO	M 6 × 9
B17	SS6203180TNO	M 3 × 1 8	B67	SS6206100TNO	M 6 × 1 0
B18	SS6203200TDO	M 3 × 2 0	B68	SS6206120TNO	M 6 × 1 2

B · C · D · E

No.	Part No.	Remark	No.	Part No.	Remark
B Hexagon Socket Head Cap Screw					
			<i>C13</i>	SS9306750SCO	M6 × 7.5
<i>B69</i>	SS6206150TNO	M6 × 1.5	<i>C14</i>	SS9308150TNO	M8 × 1.5
<i>B70</i>	SS6206180TNO	M6 × 1.8	<i>C15</i>	SS9310300TNO	M10 × 3.0
<i>B71</i>	SS6206200TNO	M6 × 2.0	<i>C16</i>	SS9310350SCO	M10 × 3.5
<i>B72</i>	SS6206250TNO	M6 × 2.5	<i>C17</i>	SS9310350TNO	M10 × 3.5
<i>B73</i>	SS6206300TNO	M6 × 3.0	<i>C18</i>	SS9310400SC1	M10 × 4.0
<i>B74</i>	SS6206350TNO	M6 × 3.5	<i>C19</i>	SS9312500TNO	M12 × 5.0
<i>B75</i>	SS6206400TNO	M6 × 4.0			
<i>B76</i>	SS6206450TNO	M6 × 4.5			
<i>B77</i>	SS6206450TN1	M6 × 4.5			
<i>B78</i>	SS6206500TN1	M6 × 5.0			
<i>B79</i>	SS6206650TNO	M6 × 6.5			
<i>B80</i>	SS6206800TN1	M6 × 8.0	D Round Fillister Head Screw		
<i>B81</i>	SS6206A00TNO	M6 × 10.0	<i>D1</i>	SM66514540CL	9 / 64 × 4.0 × 4
<i>B82</i>	SS6208120TNO	M8 × 1.2	<i>D2</i>	SM66015550CL	9 / 64 × 4.0 × 5
<i>B83</i>	SS6208150TNO	M8 × 1.5	<i>D3</i>	SM66015550CN	9 / 64 × 4.0 × 5
<i>B84</i>	SS6208150TPO	M8 × 1.5	<i>D4</i>	SM67018550CN	9 / 64 × 4.0 × 5
<i>B85</i>	SS6208200TNO	M8 × 2.0	<i>D5</i>	SM67020550CN	9 / 64 × 4.0 × 5
<i>B86</i>	SS6208250TNO	M8 × 2.5	<i>D6</i>	SM66015560CL	9 / 64 × 4.0 × 6
<i>B87</i>	SS6208300TNO	M8 × 3.0	<i>D7</i>	SM66015560CN	9 / 64 × 4.0 × 6
<i>B88</i>	SS6208350TNO	M8 × 3.5	<i>D8</i>	SM67020560CL	9 / 64 × 4.0 × 6
<i>B89</i>	SS6208400TNO	M8 × 4.0	<i>D9</i>	SM67020560CN	9 / 64 × 4.0 × 6
<i>B90</i>	SS6208400TN1	M8 × 4.0	<i>D10</i>	SM65817568CN	9 / 64 × 4.0 × 6.8
<i>B91</i>	SS6208450TNO	M8 × 4.5	<i>D11</i>	SM67020580CN	9 / 64 × 4.0 × 8
<i>B92</i>	SS6208450TN1	M8 × 4.5	<i>D12</i>	SM660255A0CN	9 / 64 × 4.0 × 1.0
<i>B93</i>	SS6208500TNO	M8 × 5.0	<i>D13</i>	SM670205C0CN	9 / 64 × 4.0 × 1.2
<i>B94</i>	SS6208600TNO	M8 × 6.0	<i>D14</i>	SM67015660CL	11 / 64 × 4.0 × 6
<i>B95</i>	SS6208750TNO	M8 × 7.5	<i>D15</i>	SM67010665CL	11 / 64 × 4.0 × 6.5
<i>B96</i>	SS6210250TNO	M10 × 2.5	<i>D16</i>	SM675306C0CN	11 / 64 × 4.0 × 1.2
<i>B97</i>	SS6210300TNO	M10 × 3.0	<i>D17</i>	SM675256F0CN	11 / 64 × 4.0 × 1.5
<i>B98</i>	SS6210400TNO	M10 × 4.0	<i>D18</i>	SM69065CQ5CN	9 / 32 × 2.8 × 2.4.5
<i>B99</i>	SS6212300TNO	M12 × 3.0	<i>D19</i>	SS7003050SDO	M3 × 5
C Hexagon Bolt			E Pan Head Screw		
<i>C1</i>	SS9303060SDO	M3 × 6	<i>E1</i>	SS4164014MZO	M1.4 × 1.4
<i>C2</i>	SS9304080SDO	M4 × 8	<i>E2</i>	SS4102030MZO	M2 × 3
<i>C3</i>	SS9305100SDO	M5 × 1.0	<i>E3</i>	SS4102040MZO	M2 × 4
<i>C4</i>	SS9305150SCO	M5 × 1.5	<i>E4</i>	SS4102080MZO	M2 × 8
<i>C5</i>	SS9305150SDO	M5 × 1.5	<i>E5</i>	SS4175030MZO	M2.5 × 3
<i>C6</i>	SS9305200SDO	M5 × 2.0	<i>E6</i>	SS4175040MZO	M2.5 × 4
<i>C7</i>	SS9306150SCO	M6 × 1.5	<i>E7</i>	SS4175050MZO	M2.5 × 5
<i>C8</i>	SS9306450SDO	M6 × 4.5	<i>E8</i>	SS4175080MZO	M2.5 × 8
<i>C9</i>	SS9306500SCO	M6 × 5.0	<i>E9</i>	SS4175130MZO	M2.5 × 1.3
<i>C10</i>	SS9306500SDO	M6 × 5.0	<i>E10</i>	SS4175130SDO	M2.5 × 1.3
<i>C11</i>	SS9306550SDO	M6 × 5.5	<i>E11</i>	SS4103030MZO	M3 × 3
<i>C12</i>	SS9306650SDO	M6 × 6.5	<i>E12</i>	SS4103030SDO	M3 × 3

No.	Part No.	Remark	No.	Part No.	Remark
<i>E</i>	Pan Head Screw		<i>F4</i>	SS1103040MZO	M 3 × 4
<i>E13</i>	SS4103040CD0	M 3 × 4	<i>F5</i>	SS1103040SD0	M 3 × 4
<i>E14</i>	SS4103040MZO	M 3 × 4	<i>F6</i>	SS1103050SD0	M 3 × 5
<i>E15</i>	SS4103040SD0	M 3 × 4	<i>F7</i>	SS1003060SD0	M 3 × 6
<i>E16</i>	SS4103050MZO	M 3 × 5	<i>F8</i>	SS1103060MZO	M 3 × 6
<i>E17</i>	SS4103050SD0	M 3 × 5	<i>F9</i>	SS1103060SD0	M 3 × 6
<i>E18</i>	SS4103060MZO	M 3 × 6	<i>F10</i>	SS1103070SD0	M 3 × 7
<i>E19</i>	SS4103060SA0	M 3 × 6	<i>F11</i>	SS1003080SD0	M 3 × 8
<i>E20</i>	SS4103060SD0	M 3 × 6	<i>F12</i>	SS1103080MZO	M 3 × 8
<i>E21</i>	SS4103080MZO	M 3 × 8	<i>F13</i>	SS1103080SC0	M 3 × 8
<i>E22</i>	SS4103080SA0	M 3 × 8	<i>F14</i>	SS1103080SD0	M 3 × 8
<i>E23</i>	SS4103080SD0	M 3 × 8	<i>F15</i>	SS1103080SNO	M 3 × 8
<i>E24</i>	SS4103100SC1	M 3 × 1 0	<i>F16</i>	SS1103100SD0	M 3 × 1 0
<i>E25</i>	SS4103100SD0	M 3 × 1 0	<i>F17</i>	SS1103120MZO	M 3 × 1 2
<i>E26</i>	SS4103120SD0	M 3 × 1 2	<i>F18</i>	SS1103120SD0	M 3 × 1 2
<i>E27</i>	SS4103140SA0	M 3 × 1 4	<i>F19</i>	SS1103150MZO	M 3 × 1 5
<i>E28</i>	SS4103140SD0	M 3 × 1 4	<i>F20</i>	SS1103160SD0	M 3 × 1 6
<i>E29</i>	SS4103150SD0	M 3 × 1 5	<i>F21</i>	SS1104050SD0	M 4 × 5
<i>E30</i>	SS4103400SD1	M 3 × 4 0	<i>F22</i>	SS1104060SD0	M 4 × 6
<i>E31</i>	SS4103500SD1	M 3 × 5 0	<i>F23</i>	SS1104080MZO	M 4 × 8
<i>E32</i>	SS4104040SD0	M 4 × 4	<i>F24</i>	SS1104080SD0	M 4 × 8
<i>E33</i>	SS4104050SD0	M 4 × 5	<i>F25</i>	SS1104100MZO	M 4 × 1 0
<i>E34</i>	SS4104060MZO	M 4 × 6	<i>F26</i>	SS1104100SD0	M 4 × 1 0
<i>E35</i>	SS4104060SD0	M 4 × 6	<i>F27</i>	SS1104120SD0	M 4 × 1 2
<i>E36</i>	SS4104080SD0	M 4 × 8	<i>F28</i>	SS1104140SD0	M 4 × 1 4
<i>E37</i>	SS4104100SD0	M 4 × 1 0	<i>F29</i>	SS1104150SD0	M 4 × 1 5
<i>E38</i>	SS4104120SD0	M 4 × 1 2	<i>F30</i>	SS1104200SD0	M 4 × 2 0
<i>E39</i>	SS4104150SD0	M 4 × 1 5	<i>F31</i>	SS1104220SD0	M 4 × 2 2
<i>E40</i>	SS4104180SD0	M 4 × 1 8	<i>F32</i>	SS1104250SD0	M 4 × 2 5
<i>E41</i>	SS4104500SD0	M 4 × 5 0	<i>F33</i>	SS1105060SD0	M 5 × 6
<i>E42</i>	SS4104600SD1	M 4 × 6 0	<i>F34</i>	SS1105080SD0	M 5 × 8
<i>E43</i>	SS4105060SD0	M 5 × 6	<i>F35</i>	SS1105100SD0	M 5 × 1 0
<i>E44</i>	SS4105070SD0	M 5 × 7	<i>F36</i>	SS1105120SD0	M 5 × 1 2
<i>E45</i>	SS4105080SD0	M 5 × 8	<i>F37</i>	SS1105150SD0	M 5 × 1 5
<i>E46</i>	SS4105100MZO	M 5 × 1 0	<i>F38</i>	SS1105300SD0	M 5 × 3 0
<i>E47</i>	SS4105100SD0	M 5 × 1 0	<i>F39</i>	SS1105350SD0	M 5 × 3 5
<i>E48</i>	SS4105120SD0	M 5 × 1 2	<i>F40</i>	SS1106150SC0	M 6 × 1 5
<i>E49</i>	SS4105300SD1	M 5 × 1 2	<i>F41</i>	SS1106150SD0	M 6 × 1 5
<i>E50</i>	SS4105150SD0	M 5 × 1 5	<i>F42</i>	SS1106350SD0	M 6 × 3 5
<i>E51</i>	SS4105500SD1	M 5 × 5 0	<i>F43</i>	SS1108120SD0	M 8 × 1 2
<i>E52</i>	SS4105600SD1	M 5 × 6 0	<i>F44</i>	SS1108700TNO	M 8 × 7 0
<i>F</i>	Countersunk Head Screw		<i>G</i>	Round Countersunk Head Screw	
<i>F1</i>	SMA55005AOCN	9 / 6 4 × 4 0 × 1 0	<i>G1</i>	SMC5000460CL	1 / 8 × 4 4 × 6
<i>F2</i>	SMB700068OCN	1 1 / 6 4 × 4 0 × 8	<i>G2</i>	SMC5000530CL	9 / 6 4 × 4 0 × 3
<i>F3</i>	SS1102060SD0	M 2 × 6	<i>G3</i>	SMC5000535CL	9 / 6 4 × 4 0 × 3 . 5

G · H · J · K

No.	Part No.	Remark	No.	Part No.	Remark
G Round Countersunk Head Screw			H40	SS0105100SD0	M5 × 10
G4	SMC5000540CL	9 / 6 4 × 4 0 × 4	H41	SS0105120SD0	M5 × 12
G5	SMC5000560CL	9 / 6 4 × 4 0 × 6	H42	SS0105150SD0	M5 × 15
G6	SMC5000570CL	9 / 6 4 × 4 0 × 7	H43	SS0105200SD0	M5 × 20
G7	SMC5000595CL	9 / 6 4 × 4 0 × 9.5	H44	SS0105250SD0	M5 × 25
			H45	SS0106080SD0	M6 × 8
			H46	SS0106100SD0	M6 × 10
			H47	SS0106220SD0	M6 × 22
			H48	SS0106250SD0	M6 × 25
			H49	SS0106350SD0	M6 × 35
H Truss Head Screw			H50	SS0106400SD0	M6 × 40
H1	SMF6016470CL	1 / 8 × 4 4 × 7			
H2	SMF8020530CL	9 / 6 4 × 4 0 × 3.5			
H3	SMF8020540CL	9 / 6 4 × 4 0 × 4			
H4	SME9510540CM	9 / 6 4 × 4 0 × 4			
H5	SMF8020560CL	9 / 6 4 × 4 0 × 6			
H6	SMF8020580CL	9 / 6 4 × 4 0 × 8	J Round Head Screw		
H7	SS0175030MZ0	M2.5 × 3	J1	SS3102030MZ0	M2 × 3
H8	SS0175030SD0	M2.5 × 3	J2	SS3103080SD0	M3 × 8
H9	SS0175040MZ0	M2.5 × 4	J3	SS3103080SE0	M3 × 8
H10	SS0175040SA0	M2.5 × 4	J4	SS3103100MZ0	M3 × 10
H11	SS0175040SD0	M2.5 × 4			
H12	SS0103030MZ0	M3 × 3			
H13	SS0103040SD0	M3 × 4			
H14	SS0103050MZ0	M3 × 5			
H15	SS0103050SD0	M3 × 5			
H16	SS0103060MZ0	M3 × 6	K Slotted Set Screw		
H17	SS0103060SD0	M3 × 6	K1	SMK0000435CN	1 / 8 × 4 4 × 3.5
H18	SS0103060SA0	M3 × 6	K2	SMK0000560CN	9 / 6 4 × 4 0 × 6
H19	SS0103080SD0	M3 × 8	K3	SMK0000625CN	1 1 / 6 4 × 4 0 × 2.5
H20	SS0103080SA0	M3 × 8	K4	SMK0000635CN	1 1 / 6 4 × 4 0 × 3.5
H21	SS0103100MZ0	M3 × 10	K5	SMK0000640CN	1 1 / 6 4 × 4 0 × 4
H22	SS0103100SD0	M3 × 10	K6	SMK0000650CN	1 1 / 6 4 × 4 0 × 5
H23	SS0103200SD0	M3 × 20	K7	SMK0000A50CN	1 5 / 6 4 × 2 8 × 5
H24	SS0104050SD0	M4 × 5	K8	SMK0000AA0CN	1 5 / 6 4 × 2 8 × 10
H25	SS0104060MZ0	M4 × 6	K9	SMK0000AF0CN	1 5 / 6 4 × 2 8 × 15
H26	SS0104060SD0	M4 × 6	K10	SMK0000AH0CN	1 5 / 6 4 × 2 8 × 17
H27	SS0104080MZ0	M4 × 8	K11	SMK0000B40CN	1 / 4 × 4 0 × 4
H28	SS0104080SD0	M4 × 8	K12	SMK0000B45CN	1 / 4 × 4 0 × 4.5
H29	SS0104080SD2	M4 × 8	K13	SMK0000B50CN	1 / 4 × 4 0 × 5
H30	SS0104100MZ0	M4 × 10	K14	SMK0000B60CN	1 / 4 × 4 0 × 6
H31	SS0104100SD0	M4 × 10	K15	SMK0000B80CN	1 / 4 × 4 0 × 8
H32	SS0104120SD0	M4 × 12	K16	SMK0000CC0CN	9 / 3 2 × 2 8 × 1 2
H33	SS0104150SD0	M4 × 15	K17	SS8005060TNO	M5 × 6
H34	SS0104200SD0	M4 × 20			
H35	SS0105050SD0	M5 × 5			
H36	SS0105060SD0	M5 × 6			
H37	SS0105070SD0	M5 × 7			
H38	SS0105080SD0	M5 × 8			
H39	SS0105100CB0	M5 × 10			

L · M · N · P

No.	Part No.	Remark	No.	Part No.	Remark
L	Hexagon Socket Head Set Screw		<i>N3</i>	SSA004080000	M 4 × 8
<i>L1</i>	SMJ0000420CN	1 / 8 × 4 4 × 2	<i>N4</i>	SSA004100000	M 4 × 1 0
<i>L2</i>	SMJ0000640CN	1 1 / 6 4 × 4 0 × 4	<i>N5</i>	SSA004550000	M 4 × 5 5
<i>L3</i>	SMJ0000660CN	1 1 / 6 4 × 4 0 × 6	<i>N6</i>	SSA005100000	M 5 × 1 0
<i>L4</i>	SMJ0000680CN	1 1 / 6 4 × 4 0 × 8	<i>N7</i>	SSA005120000	M 5 × 1 2
<i>L5</i>	SS8203020TNO	M 3 × 2	<i>N8</i>	SSA005140000	M 5 × 1 4
<i>L6</i>	SS8203030TNO	M 3 × 3	<i>N9</i>	SSA005180000	M 5 × 1 8
<i>L7</i>	SS8203040TNO	M 3 × 4			
<i>L8</i>	SS8203050TNO	M 3 × 5			
<i>L9</i>	SS8203060TNO	M 3 × 6			
<i>L10</i>	SS8204030TNO	M 4 × 3			
<i>L11</i>	SS8204040TNO	M 4 × 4			
<i>L12</i>	SS8204050TNO	M 4 × 5	P	Nut	
<i>L13</i>	SS8204060TNO	M 4 × 6	<i>P1</i>	SMN046030CNO	1 / 8 × 4 4 × 6 × 3
<i>L14</i>	SS8204060TN1	M 4 × 6	<i>P2</i>	SMN056030CNO	9 / 6 4 × 4 0 × 6 × 3
<i>L15</i>	SS8204080TNO	M 4 × 8	<i>P3</i>	SMN066020CNO	1 1 / 6 4 × 4 0 × 6 × 2
<i>L16</i>	SS8204100TNO	M 4 × 1 0	<i>P4</i>	SMN066030CNO	1 1 / 6 4 × 4 0 × 6 × 3
<i>L17</i>	SS8204120TNO	M 4 × 1 2	<i>P5</i>	SMN067030CNO	1 1 / 6 4 × 4 0 × 7 × 3
<i>L18</i>	SS8205040TNO	M 5 × 4	<i>P6</i>	SMN167030CNO	1 1 / 6 4 × 4 0 × 7 × 3
<i>L19</i>	SS8205050TNO	M 5 × 5	<i>P7</i>	SSN002SD0000	M 2 Type 1
<i>L20</i>	SS8205060TNO	M 5 × 6	<i>P8</i>	SSN073SD0000	M 2. 3 Type 1
<i>L21</i>	SS8205080TNO	M 5 × 8	<i>P9</i>	SSN075MZ0000	M 2. 5 Type 1
<i>L22</i>	SS8205100TNO	M 5 × 1 0	<i>P10</i>	SSN003MZ0000	M 3 Type 1
<i>L23</i>	SS8205120TNO	M 5 × 1 2	<i>P11</i>	SSN003SC0000	M 3 Type 1
<i>L24</i>	SS8205150TNO	M 5 × 1 5	<i>P12</i>	SSN003SD0000	M 3 Type 1
<i>L25</i>	SS8206050TNO	M 6 × 5	<i>P13</i>	SSN403SD0000	M 3 Thumbscrew Type 2
<i>L26</i>	SS8206060TNO	M 6 × 6	<i>P14</i>	SSN203SC0000	M 3 Type 3
<i>L27</i>	SS8206080TNO	M 6 × 8	<i>P15</i>	SSN285SC0000	M 3. 5 Type 3
<i>L28</i>	SS8206100TNO	M 6 × 1 0	<i>P16</i>	SSN004SC0000	M 4 Type 1
<i>L29</i>	SS8206180TNO	M 6 × 1 8	<i>P17</i>	SSN004SD0000	M 4 Type 1
<i>L30</i>	SS8208080TNO	M 8 × 8	<i>P18</i>	SSN204SC0000	M 4 Type 3
<i>L31</i>	SS8208100TNO	M 8 × 1 0	<i>P19</i>	SSN204SD0000	M 4 Type 3
<i>L32</i>	SS8208150TNO	M 8 × 1 5	<i>P20</i>	SSN005SC0000	M 5 Type 1
			<i>P21</i>	SSN005SD0000	M 5 Type 1
			<i>P22</i>	SSN205SC0000	M 5 Type 3
			<i>P23</i>	SSN205SD0000	M 5 Type 3
			<i>P24</i>	SSN605SD0000	M 5 Cap Screw
			<i>P25</i>	SSN006SC0000	M 6 Type 1
M	Hexagon Socket Head Button Screw		<i>P26</i>	SSN006SC1000	M 6 Type 1 (Left)
<i>M1</i>	SS3203050SC0	M 3 × 5	<i>P27</i>	SSN006SD0000	M 6 Type 1
<i>M2</i>	SS3204060SC0	M 4 × 6	<i>P28</i>	SSN006SD1000	M 6 Type 1 (Left)
<i>M3</i>	SS3205100SC0	M 5 × 1 0	<i>P29</i>	SSN206SC0000	M 6 Type 3
			<i>P30</i>	SSN008SC0000	M 8 Type 1
			<i>P31</i>	SSN008SD0000	M 8 Type 1
			<i>P32</i>	SSN208SC0000	M 8 Type 3
			<i>P33</i>	SSN208SD0000	M 8 Type 3
			<i>P34</i>	SSN010SC0000	M 1 0 Type 1
N	セムスネジ		<i>P35</i>	SSN710CD0000	M 1 0 with Flange
<i>N1</i>	SSA003080000	M 3 × 8	<i>P36</i>	SSN710SC0000	M 1 0 with Flange
<i>N2</i>	SSA003180000	M 3 × 1 8	<i>P37</i>	SSN012SC0000	M 1 2 Type 1

P · R

No.	Part No.	Remark	No.	Part No.	Remark
<i>P</i>	Nut		<i>R41</i>	WSS060000KCO	Spring M6
<i>P38</i>	SSN212SC0000	M 1 2 Type 3	<i>R42</i>	WSS060000KDO	Spring M6
<i>P39</i>	SSN216SC0000	M 1 6 Type 3	<i>R43</i>	WSS080000KCO	Spring M8
<i>P40</i>	SSN020SC0000	M 2 0 Type 1	<i>R44</i>	WSS080000KDO	Spring M8
			<i>R45</i>	WSS100000KCO	Spring M 1 0
			<i>R46</i>	WSS120000KCO	Spring M 1 2
			<i>R47</i>	WSW06B003TPO	Wave M 4
			<i>R48</i>	WSW06A503TNO	Wave M 4
			<i>R49</i>	WSL048505TPO	With teeth M 4
<i>R</i>	Washer		<i>R50</i>	WSN080000SCO	Slant M8
<i>R1</i>	WSP640303MZ0	Plain M 1 . 4 × 3 × 0 . 3 t			
<i>R2</i>	WSP023505XZ0	Plain M 2 × 3 . 5 × 0 . 5 t			
<i>R3</i>	WSP767505XB0	Plain M 2 . 6 × 7 . 5 × 0 . 5 t			
<i>R4</i>	WSP036003XZ0	Plain M 3 × 6 × 0 . 3 t			
<i>R5</i>	WSP036005SCO	Plain M 3 × 6 × 0 . 5 t			
<i>R6</i>	WSP037005SD0	Plain M 3 × 7 × 0 . 5 t			
<i>R7</i>	WSP038003SD0	Plain M 3 × 8 × 0 . 3 t			
<i>R8</i>	WSP038005MZ0	Plain M 3 × 8 × 0 . 5 t			
<i>R9</i>	WSP038005SCO	Plain M 3 × 8 × 0 . 5 t			
<i>R10</i>	WSP038005SD0	Plain M 3 × 8 × 0 . 5 t			
<i>R11</i>	WSP038100SD0	Plain M 3 × 8 × 1 t			
<i>R12</i>	WSP048005SD0	Plain M 4 × 8 × 0 . 5 t			
<i>R13</i>	WSP048008SCO	Plain M 4 × 8 × 0 . 8 t			
<i>R14</i>	WSP048008SD0	Plain M 4 × 8 × 0 . 8 t			
<i>R15</i>	WSP04A008SCO	Plain M 4 × 1 0 × 0 . 8 t			
<i>R16</i>	WSP04A008SD0	Plain M 4 × 1 0 × 0 . 8 t			
<i>R17</i>	WSP04C010SCO	Plain M 4 × 1 2 × 1 t			
<i>R18</i>	WSP05A008SCO	Plain M 5 × 1 0 × 0 . 8 t			
<i>R19</i>	WSP05A008SD0	Plain M 5 × 1 0 × 0 . 8 t			
<i>R20</i>	WSP05C008SCO	Plain M 5 × 1 2 × 0 . 8 t			
<i>R21</i>	WSP05C008SD0	Plain M 5 × 1 2 × 0 . 8 t			
<i>R22</i>	WSP06D010SCO	Plain M 6 × 1 3 × 1 . 0 t			
<i>R23</i>	WSP06D010SD0	Plain M 6 × 1 3 × 1 . 0 t			
<i>R24</i>	WSP06G010SCO	Plain M 6 × 1 6 × 1 . 0 t			
<i>R25</i>	WSP08G012SD0	Plain M 8 × 1 6 × 1 . 2 t			
<i>R26</i>	WSP08J016SCO	Plain M 8 × 1 8 × 1 . 6 t			
<i>R27</i>	WSP08J016SD0	Plain M 8 × 1 8 × 1 . 6 t			
<i>R28</i>	WSP08J032SCO	Plain M 8 × 1 8 × 3 . 2 t			
<i>R29</i>	WSP08N032SCO	Plain M 8 × 2 2 × 3 . 2 t			
<i>R30</i>	WSP10S032SCO	Plain M 1 0 × 2 6 × 3 . 2 t			
<i>R31</i>	WSP12L520SCO	Plain M 1 2 × 2 0 . 5 × 2 t			
<i>R32</i>	WSS020000KDO	Spring M2			
<i>R33</i>	WSS760000KCO	Spring M2.6			
<i>R34</i>	WSS030000KCO	Spring M3			
<i>R35</i>	WSS030000KDO	Spring M3			
<i>R36</i>	WSS850000KCO	Spring M3.5			
<i>R37</i>	WSS040000KCO	Spring M4			
<i>R38</i>	WSS040000KDO	Spring M4			
<i>R39</i>	WSS050000KCO	Spring M5			
<i>R40</i>	WSS050000KDO	Spring M5			